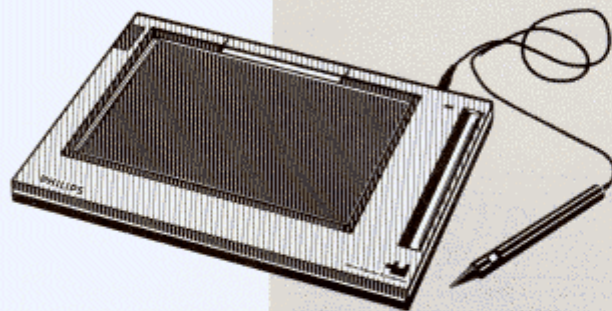


PHILIPS



MSX GRAPHIC TABLET

NMS 1150



INSTRUCTION MANUAL
MANUAL D'INSTRUCTIONS
INSTRUKTIONSHANDBUCH
INSTRUKTIEBOEK
MANUALE D'ISTRUZIONE
MANUAL DE INSTRUCCIONES

MSX™

New Media Systems 

Scanned and converted to PDF by HansO , 2001

Technical specifications

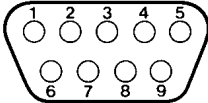
Effective tablet area	X axis: 205 ± 5 mm Y axis: 140 ± 3 mm
Resolution	256 x 256 dots X axis: 0.80 mm Y axis: 0.54 mm
Outside dimensions	296 x 210 x 18 mm (W x D x H)
Weight	approx. 720 g

Touch pen

Outside dimensions	150 mm x 12 mm \varnothing
Cable length	700 mm

Interface to MSX computer

Input/output	TTL level
Max. supply rating	$5 V_{DC} \pm 5\%$, 50 mA
Data sampling period	5 ms/dot

Pin connections:			
			
Pin	Symbol	Signal	Direction
1	$\overline{\text{SENSE}}$	Touch sense signal	Output
2	EOC	A/D conversion end signal	Output
3	SO	Serial output signal	Output
4	$\overline{\text{SW}}$	Switch signal	Output
5	DC 5 V	5 V_{DC} power input	
6	$\overline{\text{SCK}}$	Serial clock signal	Input
7	SI	Serial input signal	Input
8	CS	Select signal	Input
9	GND	Signal ground	

Philips MSX Graphic tablet NMS 1150/00

The graphic tablet is used in combination with your MSX computer and will be connected to the joystick port, indicated in the user manual of the related application software package.

The program below enables you to design graphics, which will be displayed on your TV- or monitor screen.

In this program the graphic tablet will be connected to joystick port 1.

```
Sample MSX computer program
1Ø SCREEN 2
2Ø IF PAD (Ø) = Ø THEN SW = Ø : GOTO 2Ø
3Ø X = PAD (1) : Y = PAD (2)
4Ø IF SW = Ø THEN PSET (X, Y) ELSE LINE - (X, Y)
5Ø SW = 1
6Ø GOTO 2Ø
```

Graphic tablet facilities

