

## Mapper MSX Konami type.

### Second updated version!

Hardware as found in Zemina game cartridges, implementing a standard Konami mapper (8K pages at addresses 4000 6000 8000 A000)

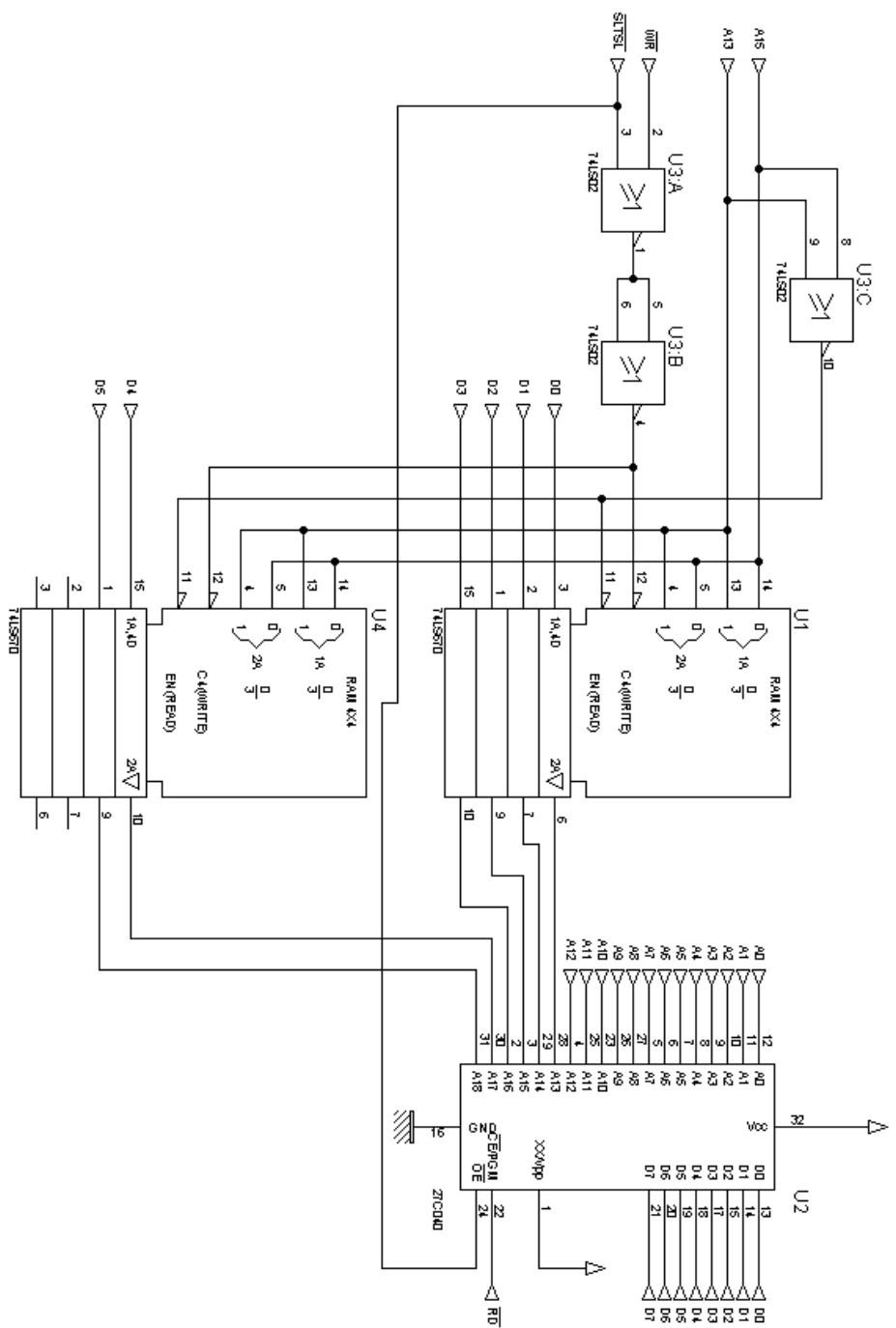
Three types are shown, different in size of the EPROM (128K 27C010, 256K 27C020, 512K 27C040), and therefore the number of pages available

The register IC 74LS670 delivers 4 extra address lines to the ROM, in theory the 512K variant, with two 74LS670's, could support up to 2048K

*Circuit diagrams by Jipe (Jean-Pierre Dubois, 2008)*  
*PDF by HansO, 2008*







Mapper Zemina 512K - Konami 8k 4000 6000 8000 A000