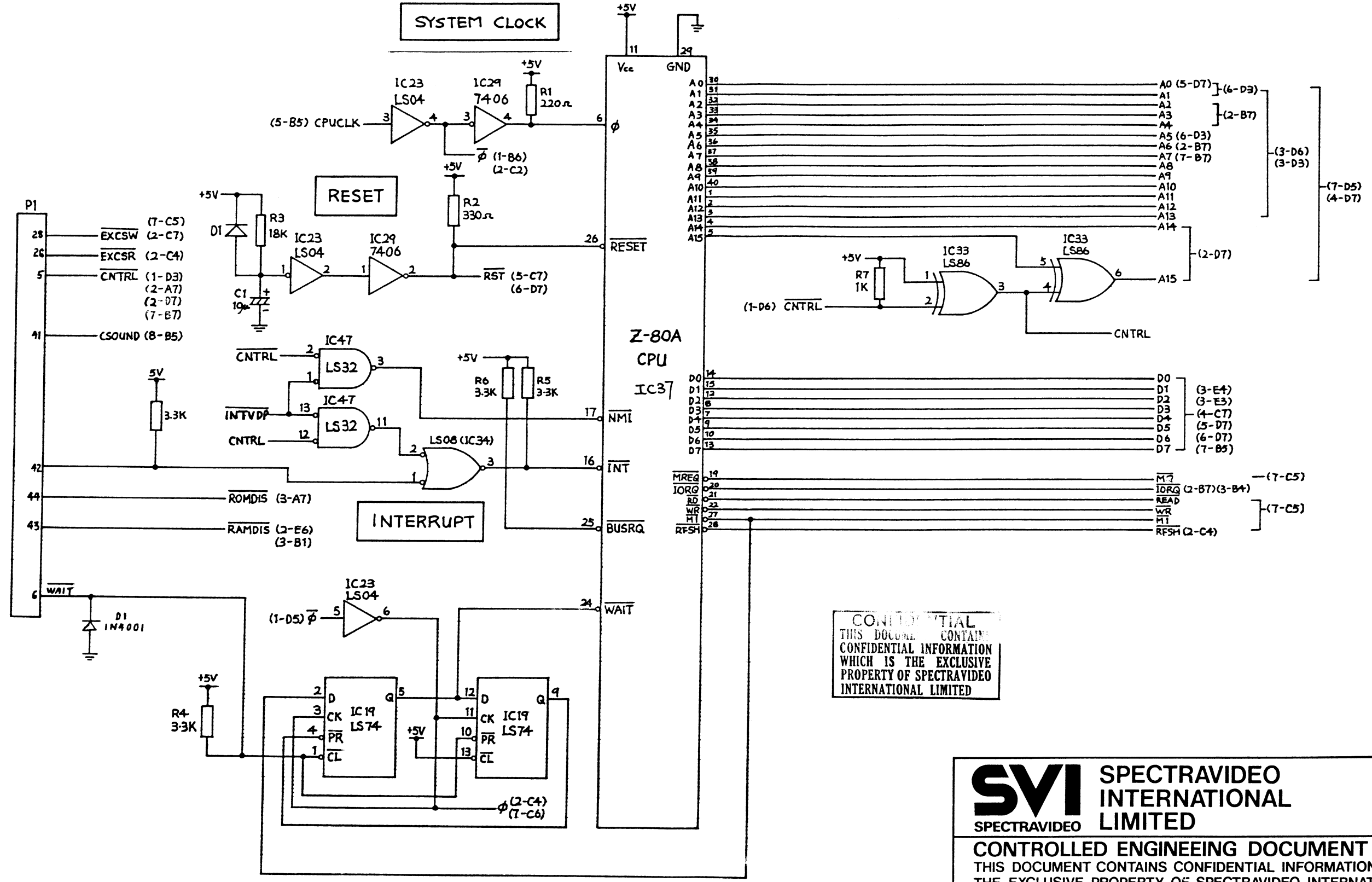


SYSTEM CLOCK

RESET

INTERRUPT

Z80A MICROPROCESSOR



CONFIDENTIAL
 THIS DOCUMENT CONTAINS
 CONFIDENTIAL INFORMATION
 WHICH IS THE EXCLUSIVE
 PROPERTY OF SPECTRAVIDEO
 INTERNATIONAL LIMITED

SVI SPECTRAVIDEO INTERNATIONAL LIMITED

CONTROLLED ENGINEERING DOCUMENT
 THIS DOCUMENT CONTAINS CONFIDENTIAL INFORMATION WHICH IS THE EXCLUSIVE PROPERTY OF SPECTRAVIDEO INTERNATIONAL LTD.

TITLE SVI 318/328 CPU	VERIFIED BY <u>VICKY YEUNG V.Y.</u> DATE <u>MARCH 1984</u>
DOCUMENT NO STM-001-A	VERSION NO 1.5 SHEET 1 OF 12

E

D

C

B

A

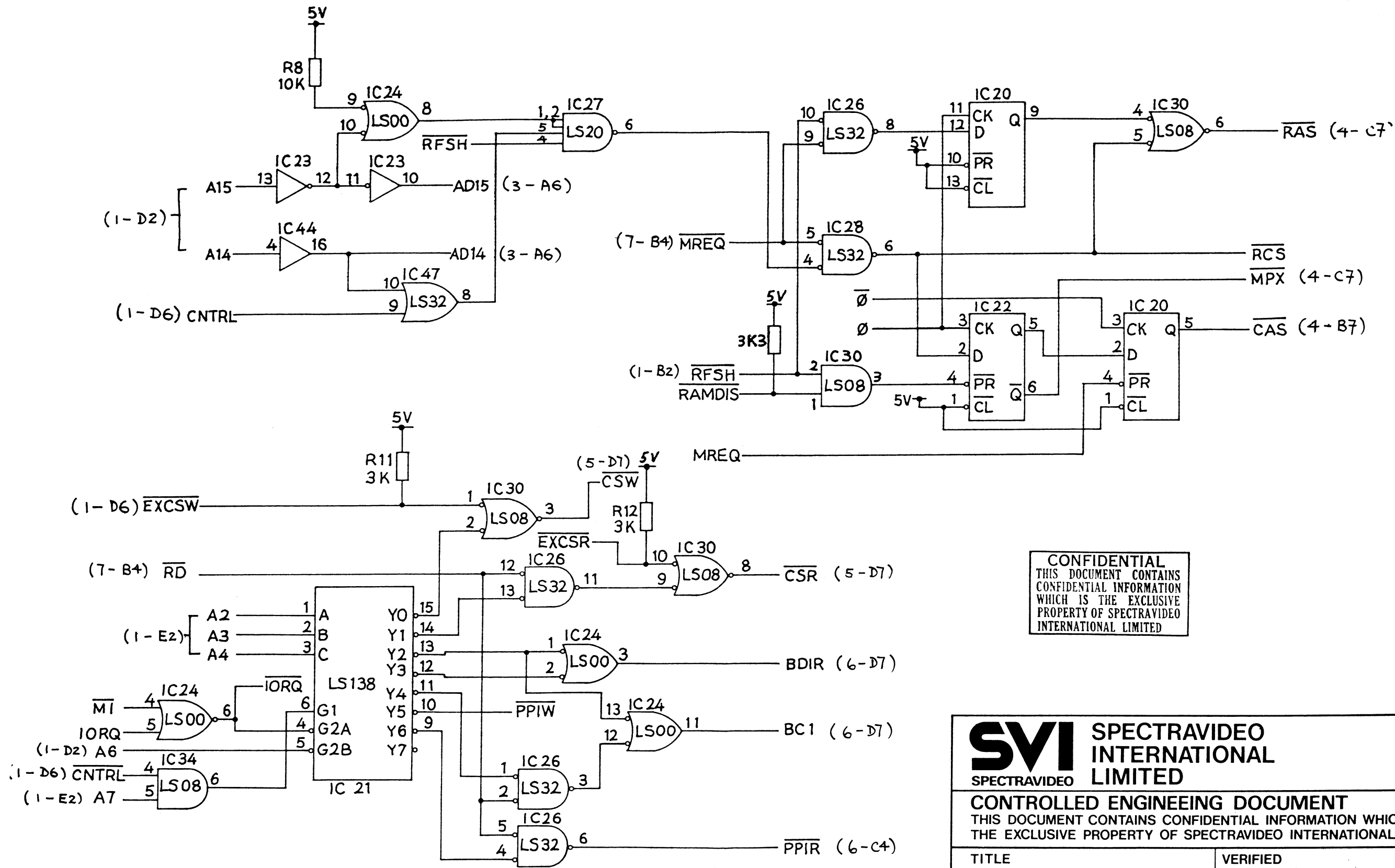
E

D

C

B

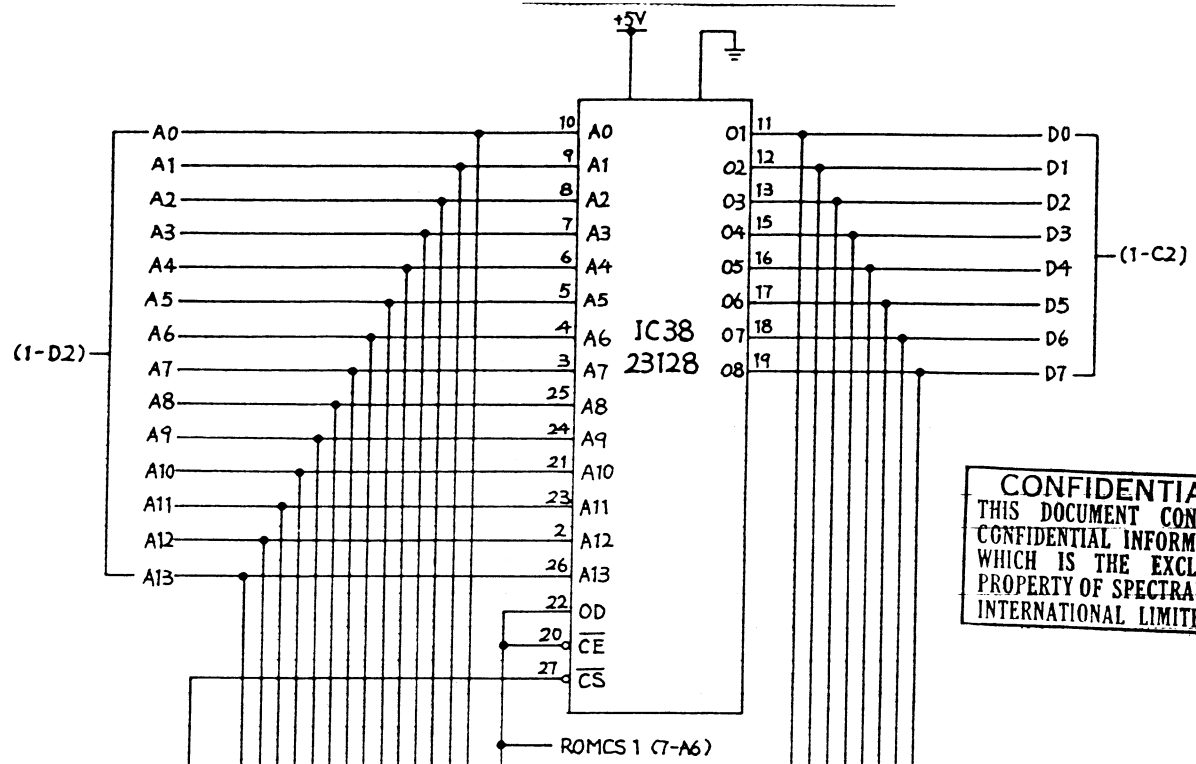
A



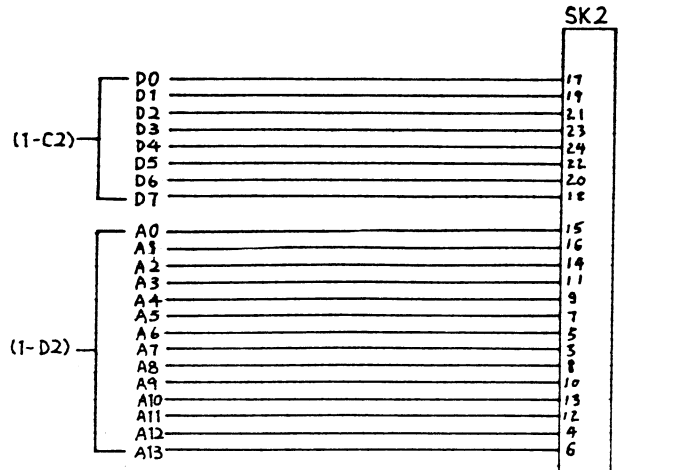
CONFIDENTIAL
 THIS DOCUMENT CONTAINS
 CONFIDENTIAL INFORMATION
 WHICH IS THE EXCLUSIVE
 PROPERTY OF SPECTRAVIDEO
 INTERNATIONAL LIMITED

CONTROLLED ENGINEING DOCUMENT THIS DOCUMENT CONTAINS CONFIDENTIAL INFORMATION WHICH IS THE EXCLUSIVE PROPERTY OF SPECTRAVIDEO INTERNATIONAL LTD.	
TITLE DECODE LOGIC	VERIFIED BY <u>VICKY YEUNG VY</u> DATE <u>MARCH, 1984</u>
DOCUMENT NO STM-002-A	VERSION NO 1.5 SHEET 2 OF 12

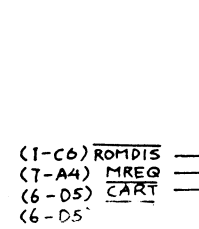
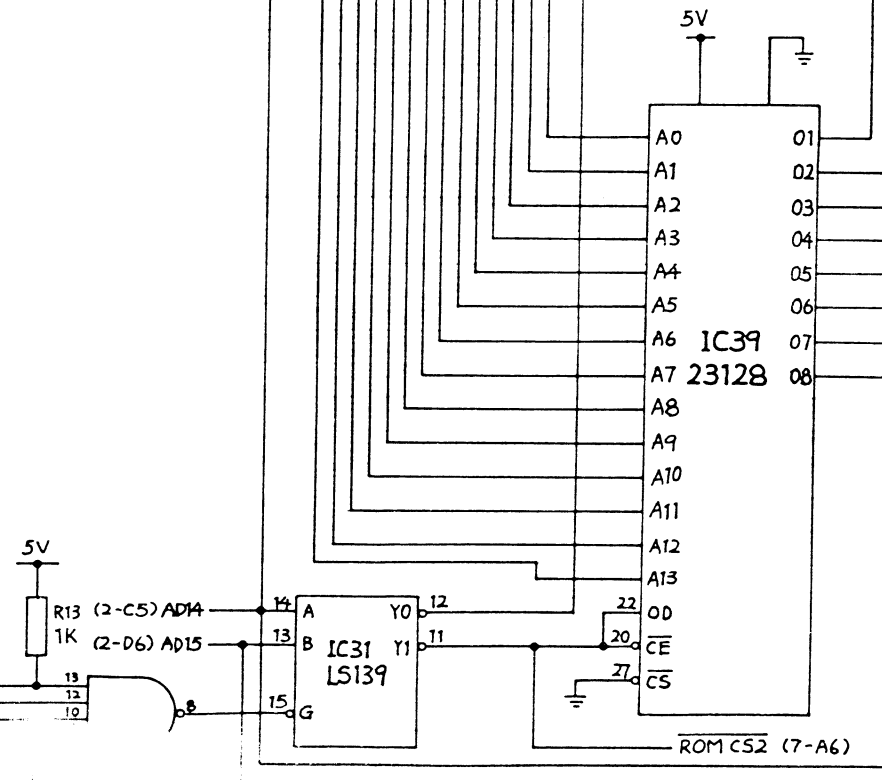
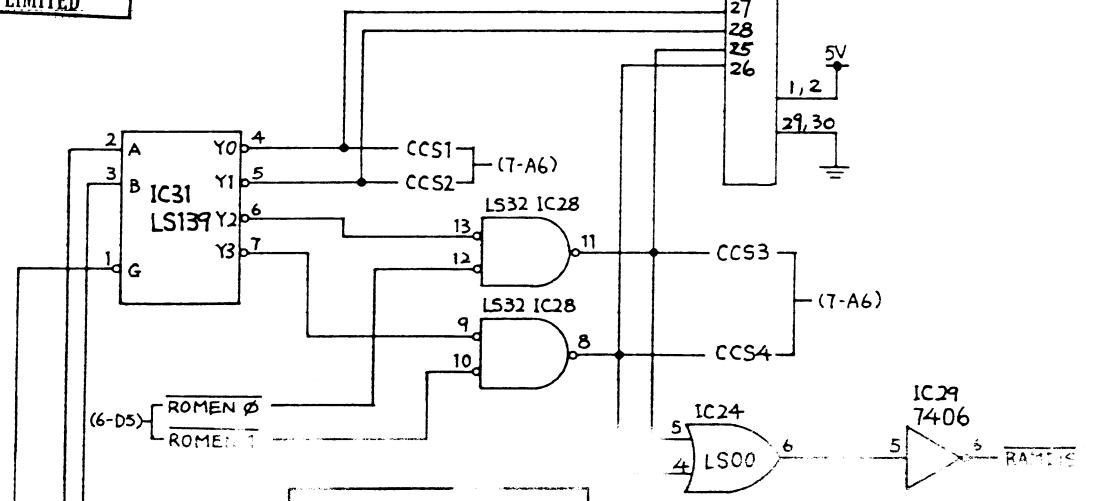
MASS ROM MEMORY



CONFIDENTIAL
 THIS DOCUMENT CONTAINS
 CONFIDENTIAL INFORMATION
 WHICH IS THE EXCLUSIVE
 PROPERTY OF SPECTRAVIDEO
 INTERNATIONAL LIMITED.



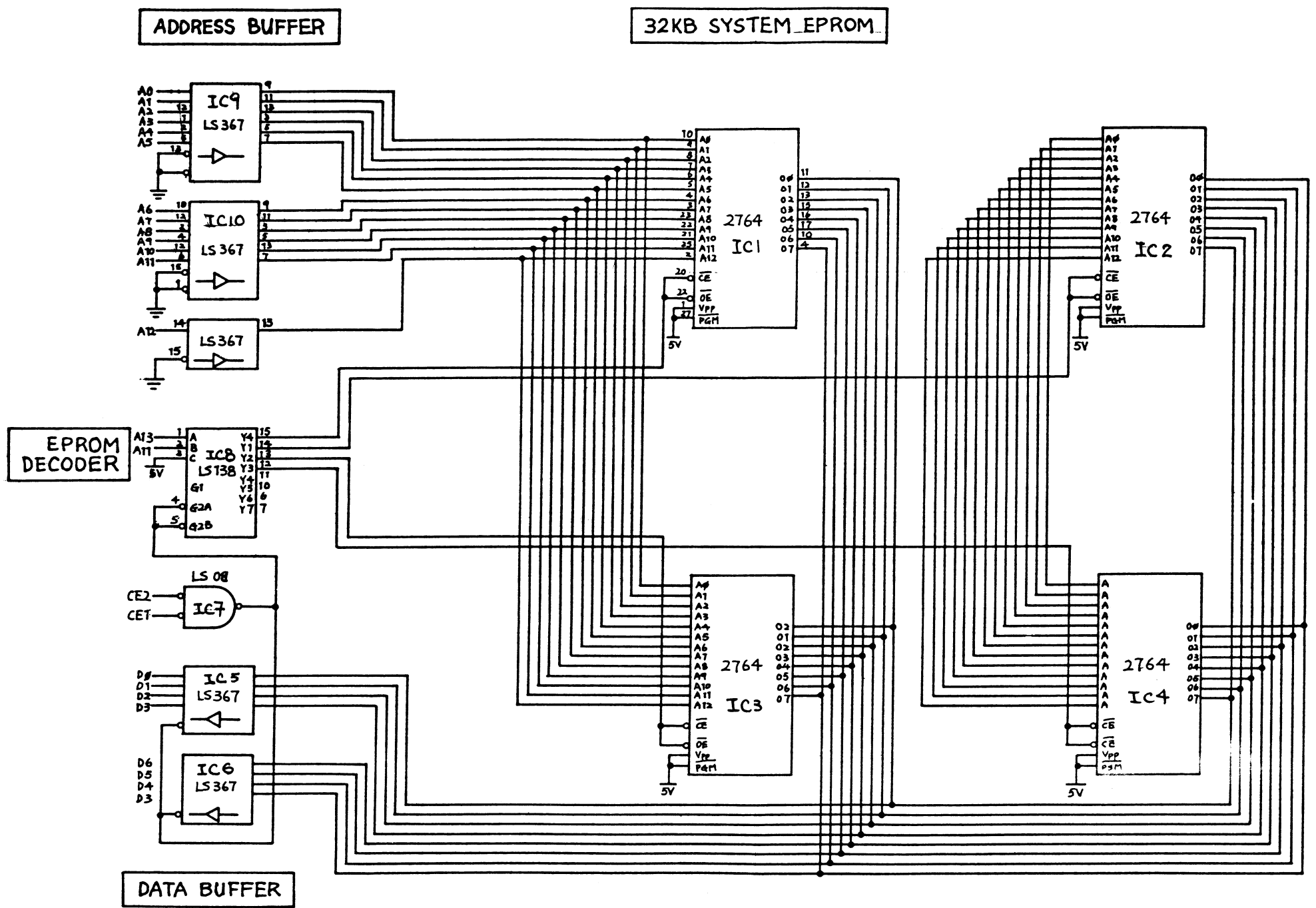
MEMORY CONTROL



SVI SPECTRAVIDEO INTERNATIONAL LIMITED

CONTROLLED ENGINEERING DOCUMENT
 THIS DOCUMENT CONTAINS CONFIDENTIAL INFORMATION WHICH IS THE EXCLUSIVE PROPERTY OF SPECTRAVIDEO INTERNATIONAL LTD.

TITLE MASS ROM & MEMORY CONTROL	VERIFIED BY <u>W. J. YOUNG</u> DATE <u>MARCH, 1984</u>
DOCUMENT NO SIM-003-A	VERSION NO 1.5 SHEET 3 OF 12

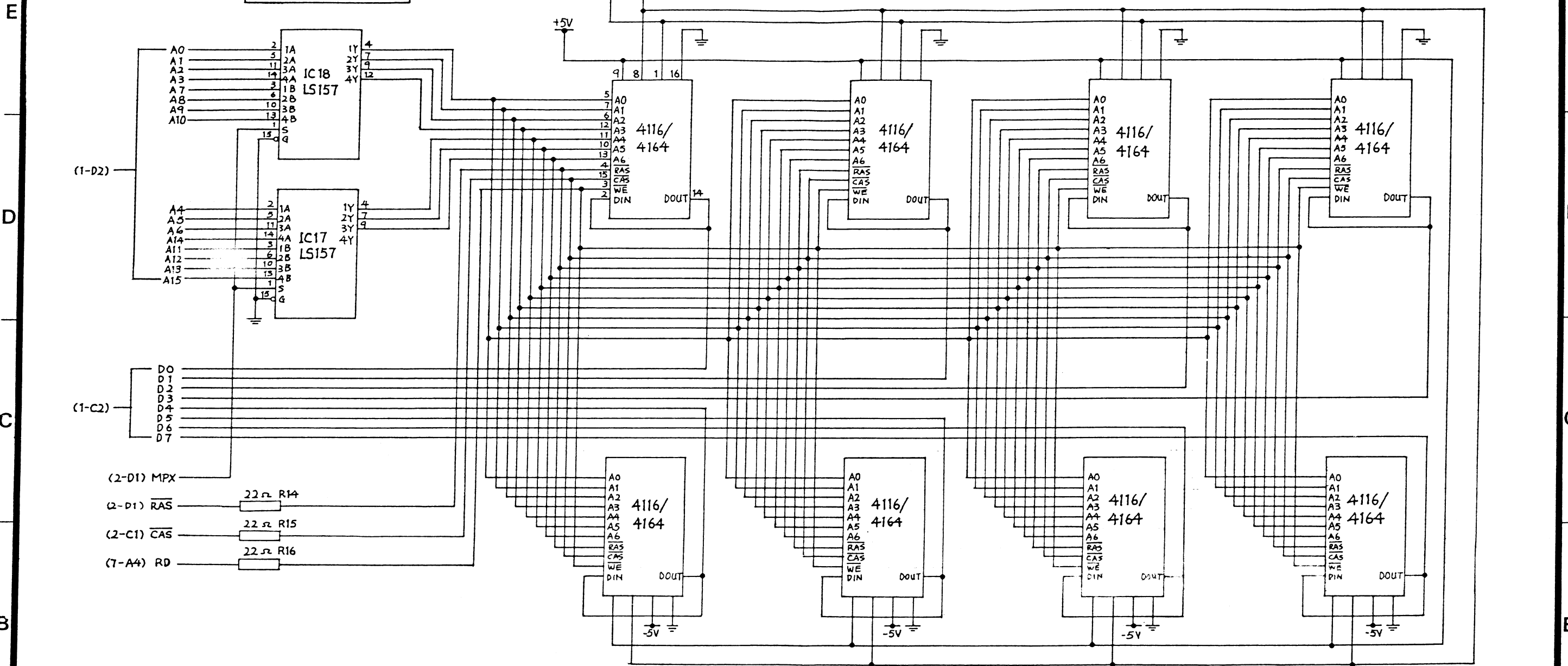


CONFIDENTIAL
THIS DOCUMENT CONTAINS
CONFIDENTIAL INFORMATION
WHICH IS THE EXCLUSIVE
PROPERTY OF SPECTRAVIDEO
INTERNATIONAL LIMITED

SVI SPECTRAVIDEO INTERNATIONAL LIMITED

CONTROLLED ENGINEERING DOCUMENT
THIS DOCUMENT CONTAINS CONFIDENTIAL INFORMATION WHICH IS THE EXCLUSIVE PROPERTY OF SPECTRAVIDEO INTERNATIONAL LTD.

TITLE EPROM & MEMORY CONTROL	VERIFIED BY <u>VICKY YEUNG V.Y.</u> DATE <u>MARCH 1984</u>
DOCUMENT NO STM-004-A	VERSION SHEET NO 1.5 OF 3 OF 12



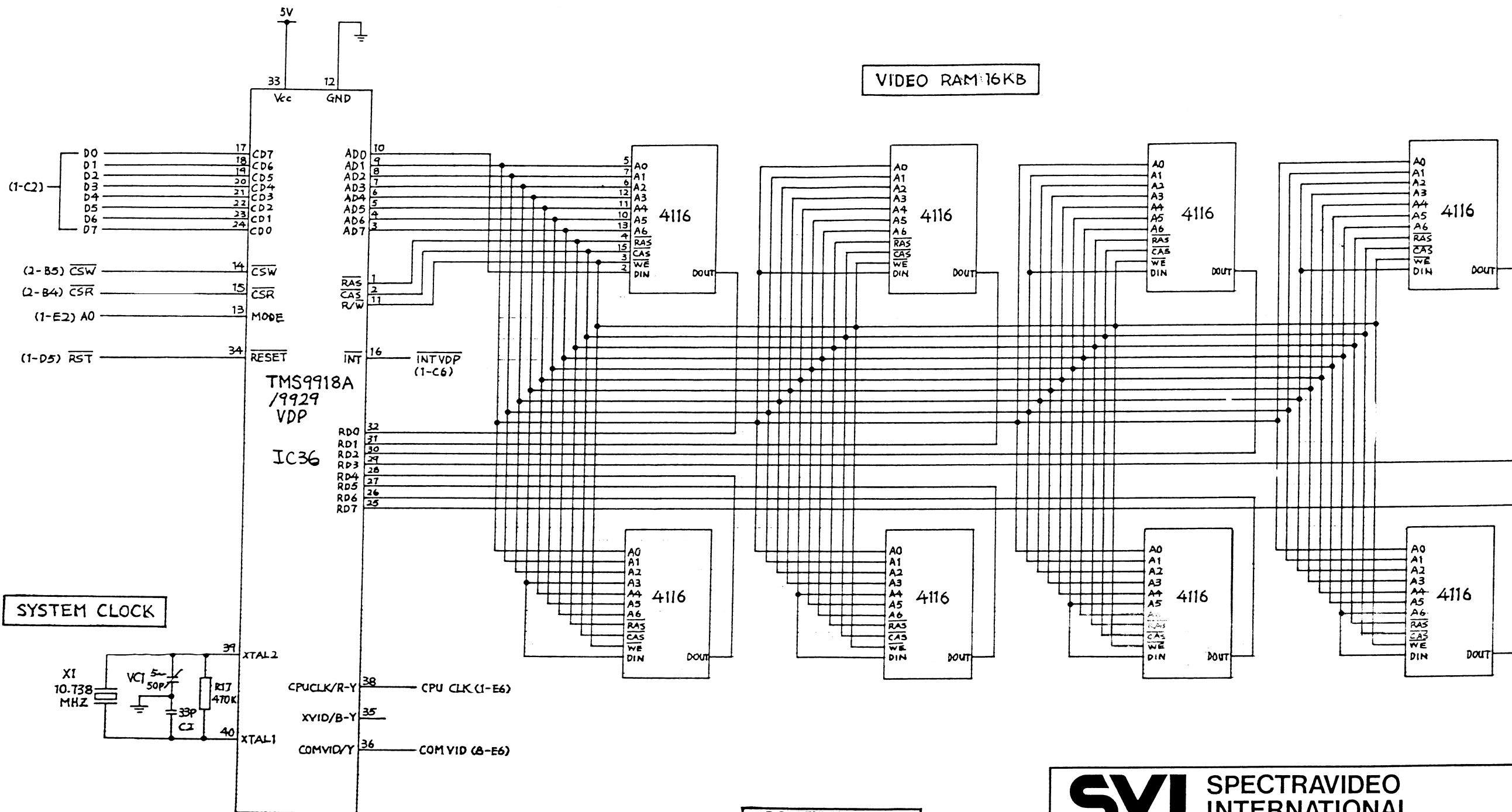
CONFIDENTIAL
 THIS DOCUMENT CONTAINS
 CONFIDENTIAL INFORMATION
 WHICH IS THE EXCLUSIVE
 PROPERTY OF SPECTRAVIDEO
 INTERNATIONAL LIMITED

SVI SPECTRAVIDEO INTERNATIONAL LIMITED

CONTROLLED ENGINEERING DOCUMENT
 THIS DOCUMENT CONTAINS CONFIDENTIAL INFORMATION WHICH IS THE EXCLUSIVE PROPERTY OF SPECTRAVIDEO INTERNATIONAL LTD.

TITLE	VERIFIED
16K OR 64K USER MEMORY	BY <i>VICKY YEUNG V.Y.</i>
	DATE <i>MARCH, 1984</i>

DOCUMENT NO	VERSION NO	SHEET OF
SFM - 005 - A	1.5	4 OF 12



TMS9918A / 9929
VIDEO DISPLAY PROCESSOR

VIDEO RAM 16KB

SYSTEM CLOCK

CONFIDENTIAL
THIS DOCUMENT CONTAINS
CONFIDENTIAL INFORMATION
WHICH IS THE EXCLUSIVE
PROPERTY OF SPECTRAVIDEO
INTERNATIONAL LIMITED

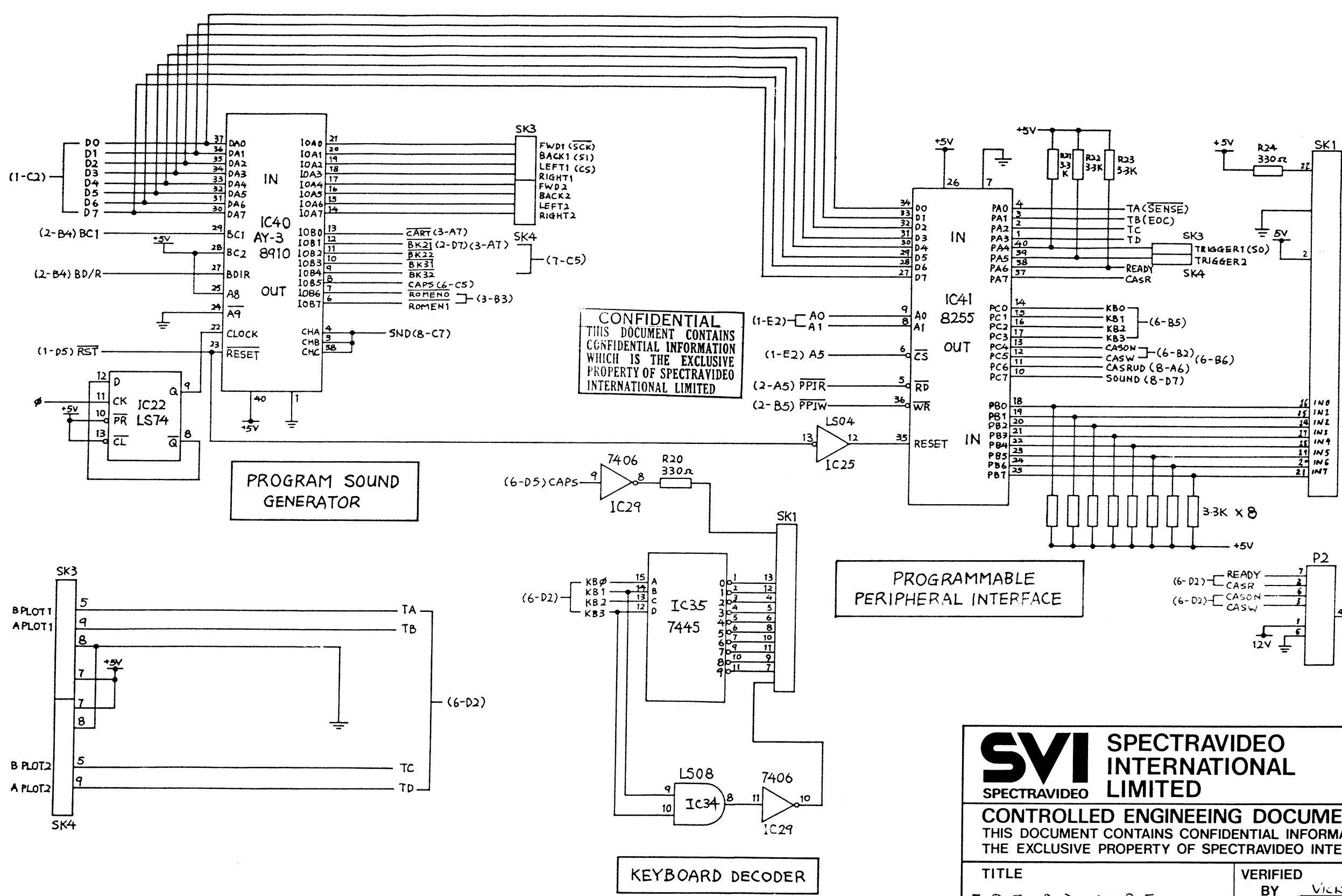
SVI SPECTRAVIDEO INTERNATIONAL LIMITED

CONTROLLED ENGINEERING DOCUMENT
THIS DOCUMENT CONTAINS CONFIDENTIAL INFORMATION WHICH IS THE EXCLUSIVE PROPERTY OF SPECTRAVIDEO INTERNATIONAL LTD.

TITLE VDP & 16K VIDEO RAM	VERIFIED BY <u>VICKY YEUNG V.Y.</u> DATE <u>MARCH, 1984</u>
DOCUMENT NO STM-006-A	VERSION SHEET NO 1.5 OF 12

E
D
C
B
A

E
D
C
B
A



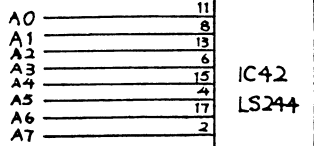
CONFIDENTIAL
 THIS DOCUMENT CONTAINS
 CONFIDENTIAL INFORMATION
 WHICH IS THE EXCLUSIVE
 PROPERTY OF SPECTRAVIDEO
 INTERNATIONAL LIMITED

SVI SPECTRAVIDEO INTERNATIONAL LIMITED

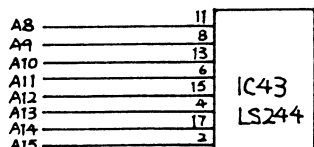
CONTROLLED ENGINEERING DOCUMENT
 THIS DOCUMENT CONTAINS CONFIDENTIAL INFORMATION WHICH IS THE EXCLUSIVE PROPERTY OF SPECTRAVIDEO INTERNATIONAL LTD.

TITLE INPUT AND OUTPUT	VERIFIED BY <u>VICKY YEUNG V.Y.</u> DATE <u>MARCH 1984</u>
DOCUMENT NO STM-007-A	VERSION NO 1.5 SHEET 6 OF 12

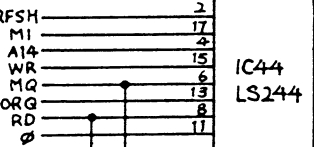
ADDRESS BUFFER



(1-D2)

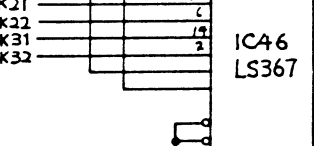


(1-C2)



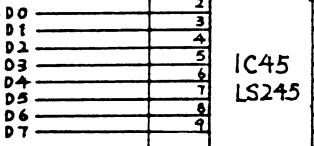
CONTROL BUFFER

(6-D5)

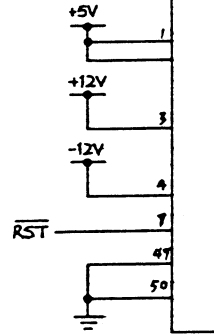
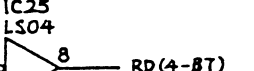


RD (2-A6)
MREQ (2-D4)

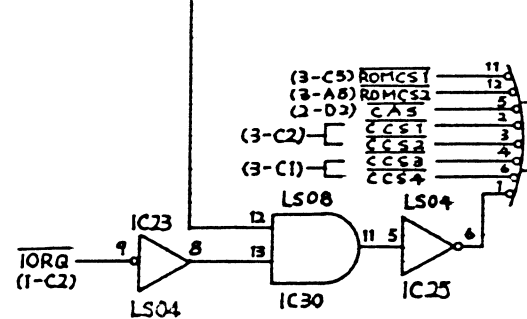
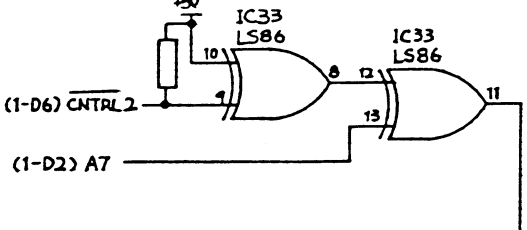
(1-C2)



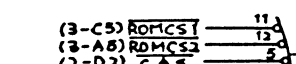
DATA BUFFER



CONFIDENTIAL
THIS DOCUMENT CONTAINS
CONFIDENTIAL INFORMATION
WHICH IS THE EXCLUSIVE
PROPERTY OF SPECTRAVIDEO
INTERNATIONAL LIMITED



BUFFER CONTROL

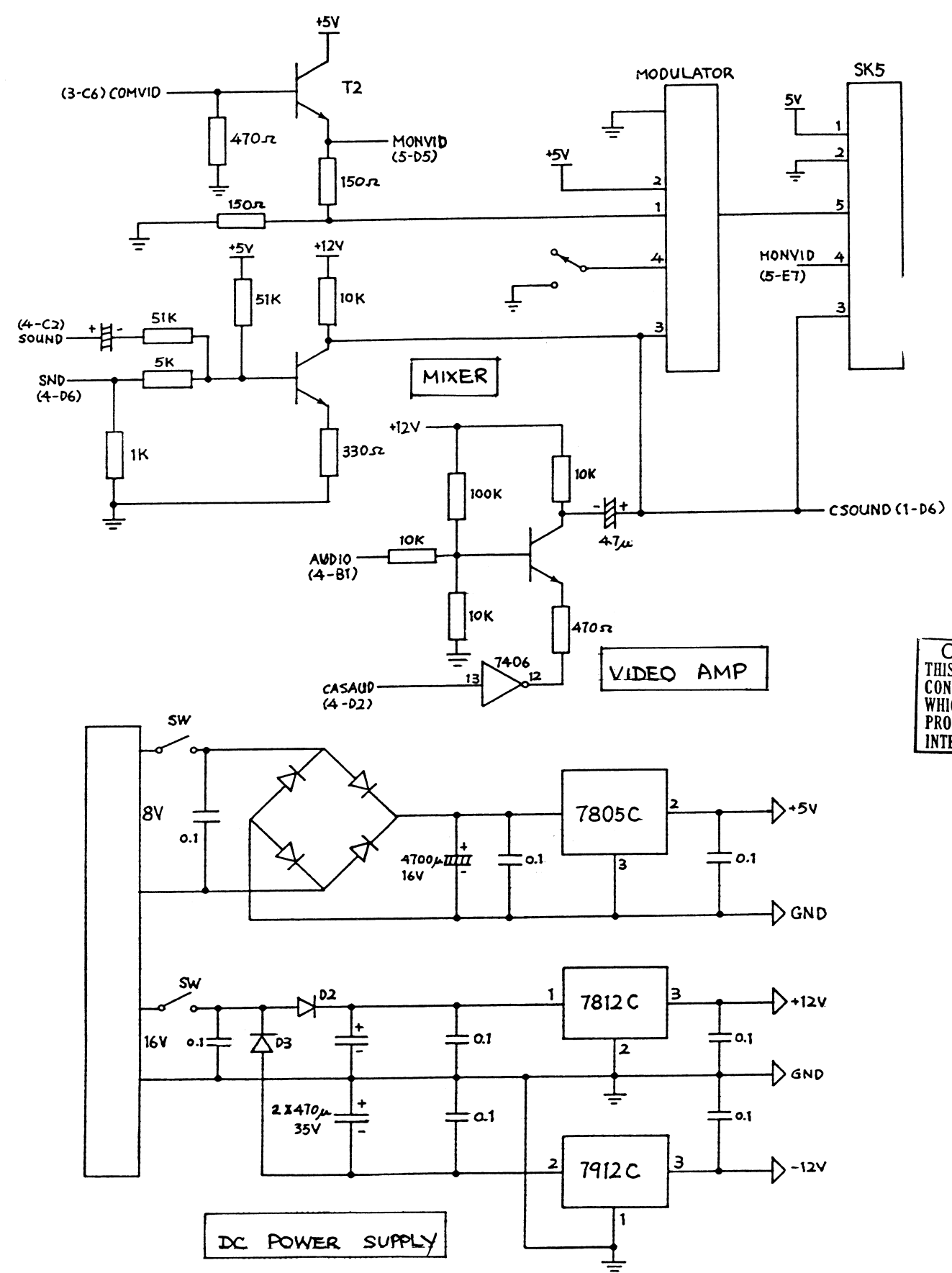


SVI SPECTRAVIDEO
INTERNATIONAL
LIMITED

CONTROLLED ENGINEERING DOCUMENT
THIS DOCUMENT CONTAINS CONFIDENTIAL INFORMATION WHICH IS
THE EXCLUSIVE PROPERTY OF SPECTRAVIDEO INTERNATIONAL LTD.

TITLE SYSTEM BUS BUFFER	VERIFIED BY <u>VICKY YOUNG V.Y.</u> DATE <u>MARCH, 1984</u>
DOCUMENT NO STM-008-A	VERSION NO 1.5 SHEET 7 OF 12

E
D
C
B
A



CONFIDENTIAL
THIS DOCUMENT CONTAINS
CONFIDENTIAL INFORMATION
WHICH IS THE EXCLUSIVE
PROPERTY OF SPECTRAVIDEO
INTERNATIONAL LIMITED

PIN	NAME	PIN	NAME
1	+5V	2	CNTRL2
3	+12V	4	-12V
5	CNTRL1	6	WAIT
7	RST	8	CPU CLK
9	A15	10	A14
11	A13	12	A12
13	A11	14	A10
15	A9	16	A8
17	A7	18	A6
19	A5	20	A4
21	A3	22	A2
23	A1	24	A0
25	RFSH	26	EXCSR
27	MI	28	EXCSW
29	WR	30	MREQ
31	TORQ	32	RD
33	D0	34	D1
35	D2	36	D3
37	D4	38	D5
39	D6	40	D7
41	CSOUND	42	INT
43	RAMDIS	44	ROMDIS
45	BK32	46	BK31
47	BK22	48	BK21
49	GND	50	GND

EXT. BUS PIN ASSIGNMENT

SVI SPECTRAVIDEO INTERNATIONAL LIMITED

CONTROLLED ENGINEERING DOCUMENT
THIS DOCUMENT CONTAINS CONFIDENTIAL INFORMATION WHICH IS THE EXCLUSIVE PROPERTY OF SPECTRAVIDEO INTERNATIONAL LTD.

TITLE COMVIDEO & POWER SUPPLY	VERIFIED BY <u>VICKY YEUNG V.S.</u> DATE <u>MARCH 1984</u>
DOCUMENT NO STM-007-A	VERSION NO 1.5 SHEET 8 OF 12

E

D

C

B

A

E

D

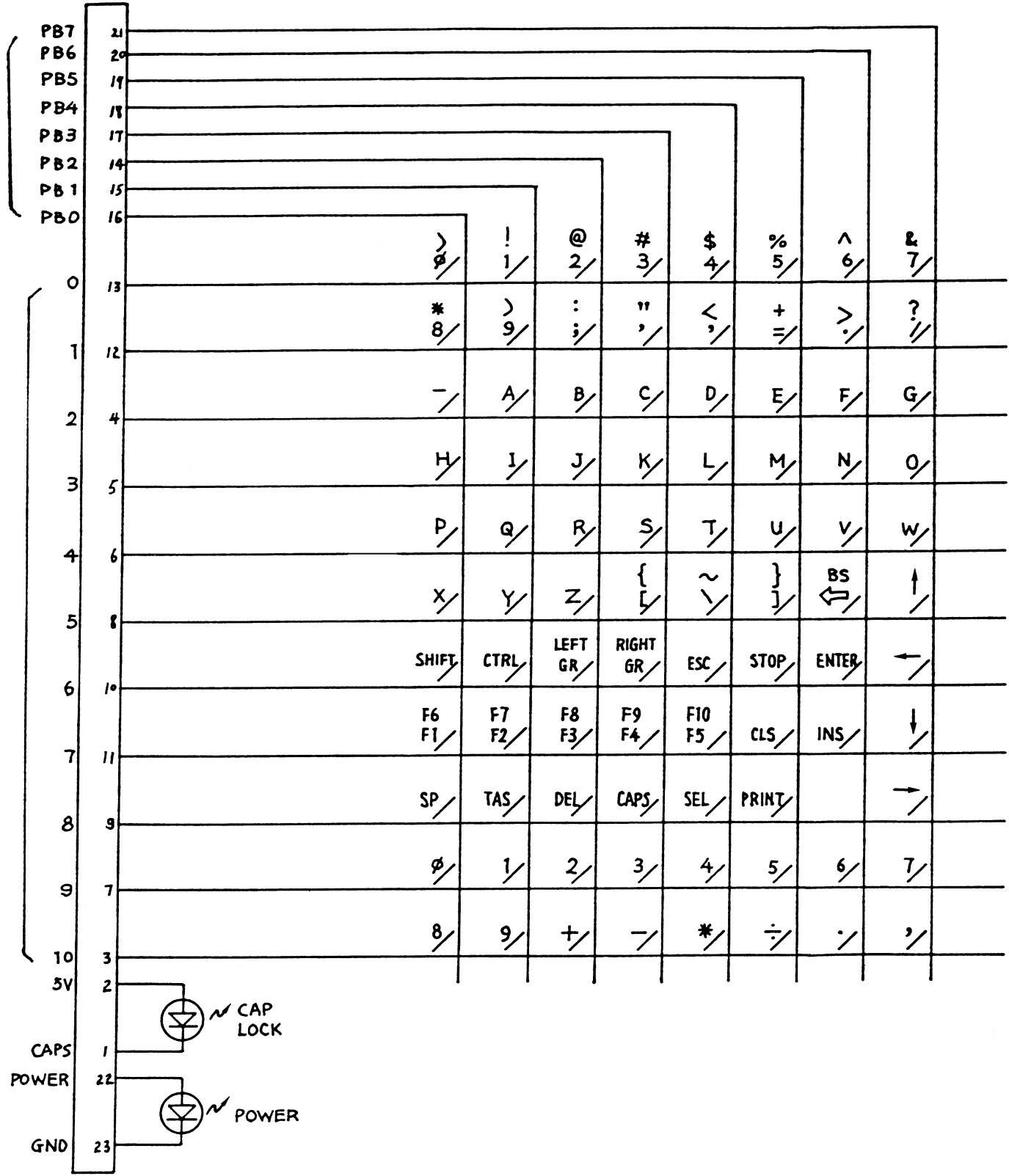
C

B

A

INPUT

OUTPUT



CONFIDENTIAL
 THIS DOCUMENT CONTAINS
 CONFIDENTIAL INFORMATION
 WHICH IS THE EXCLUSIVE
 PROPERTY OF SPECTRAVIDEO
 INTERNATIONAL LIMITED

SVI SPECTRAVIDEO INTERNATIONAL LIMITED

CONTROLLED ENGINEERING DOCUMENT
 THIS DOCUMENT CONTAINS CONFIDENTIAL INFORMATION WHICH IS THE EXCLUSIVE PROPERTY OF SPECTRAVIDEO INTERNATIONAL LTD.

TITLE ASCII KEYBOARD	VERIFIED BY <u>VICKY YEUNG V.Y.</u> DATE <u>MARCH 1984</u>
DOCUMENT NO STM-010-A	VERSION NO 1.5 SHEET 9 OF 12

PIN	NAME	PIN	NAME
1	+5V	2	+5V
3	A7	4	A12
5	A6	6	A13
7	A5	8	A8
9	A4	10	A9
11	A3	12	A11
13	A10	14	A2
15	A0	16	A1
17	D0	18	D7
19	D1	20	D6
21	D2	22	D5
23	D3	24	D4
25	CCS3	26	CCS4
27	CCS1	28	CCS2
29	Gnd.	30	Gnd.

GAME CARTRIDGE

PIN	NAME
1	12V
2	CASR
3	CASW
4	AUDIO
5	Gnd.
6	\overline{ME}
7	READY

CASSETTE

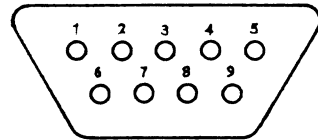
CONFIDENTIAL
 THIS DOCUMENT CONTAINS
 CONFIDENTIAL INFORMATION
 WHICH IS THE EXCLUSIVE
 PROPERTY OF SPECTRAVIDEO
 INTERNATIONAL LIMITED

PIN	NAME
1	CAPS
2	5V
3	OUTPUT 10
4	OUTPUT 2
5	OUTPUT 3
6	OUTPUT 4
7	OUTPUT 9
8	OUTPUT 5
9	OUTPUT 8
10	OUTPUT 6
11	OUTPUT 7
12	OUTPUT 1
13	OUTPUT 0
14	INPUT 2
15	INPUT 1
16	INPUT 0
17	INPUT 3
18	INPUT 4
19	INPUT 5
20	INPUT 6
21	INPUT 7
22	POWER
23	Gnd.
24	
25	

KEYBOARD

SVI SPECTRAVIDEO INTERNATIONAL LIMITED	
CONTROLLED ENGINEERING DOCUMENT	
THIS DOCUMENT CONTAINS CONFIDENTIAL INFORMATION WHICH IS THE EXCLUSIVE PROPERTY OF SPECTRAVIDEO INTERNATIONAL LTD.	
TITLE I/O PORT DESCRIPTION	VERIFIED BY <u>VICKY YEUNG V Y</u> DATE <u>MARCH 1984</u>
DOCUMENT NO <u>SEM-011-A</u>	VERSION NO <u>1.5</u> SHEET <u>10</u> OF <u>12</u>

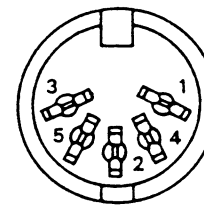
PIN	NAME
1	FORWARD/SCK
2	BACKWARD/SI
3	LEFT/CS
4	RIGHT/SENCTR
5	SENSE
6	TRIGGER
7	+5V
8	GND
9	EOC



SK3 JOYSTICK 1

PIN	NAME
1	FORWARD/SCK
2	BACKWARD/SI
3	LEFT/CS
4	RIGHT/SENCTR
5	SENSE
6	TRIGGER
7	+5V
8	GND
9	EOC

SK4 JOYSTICK 2

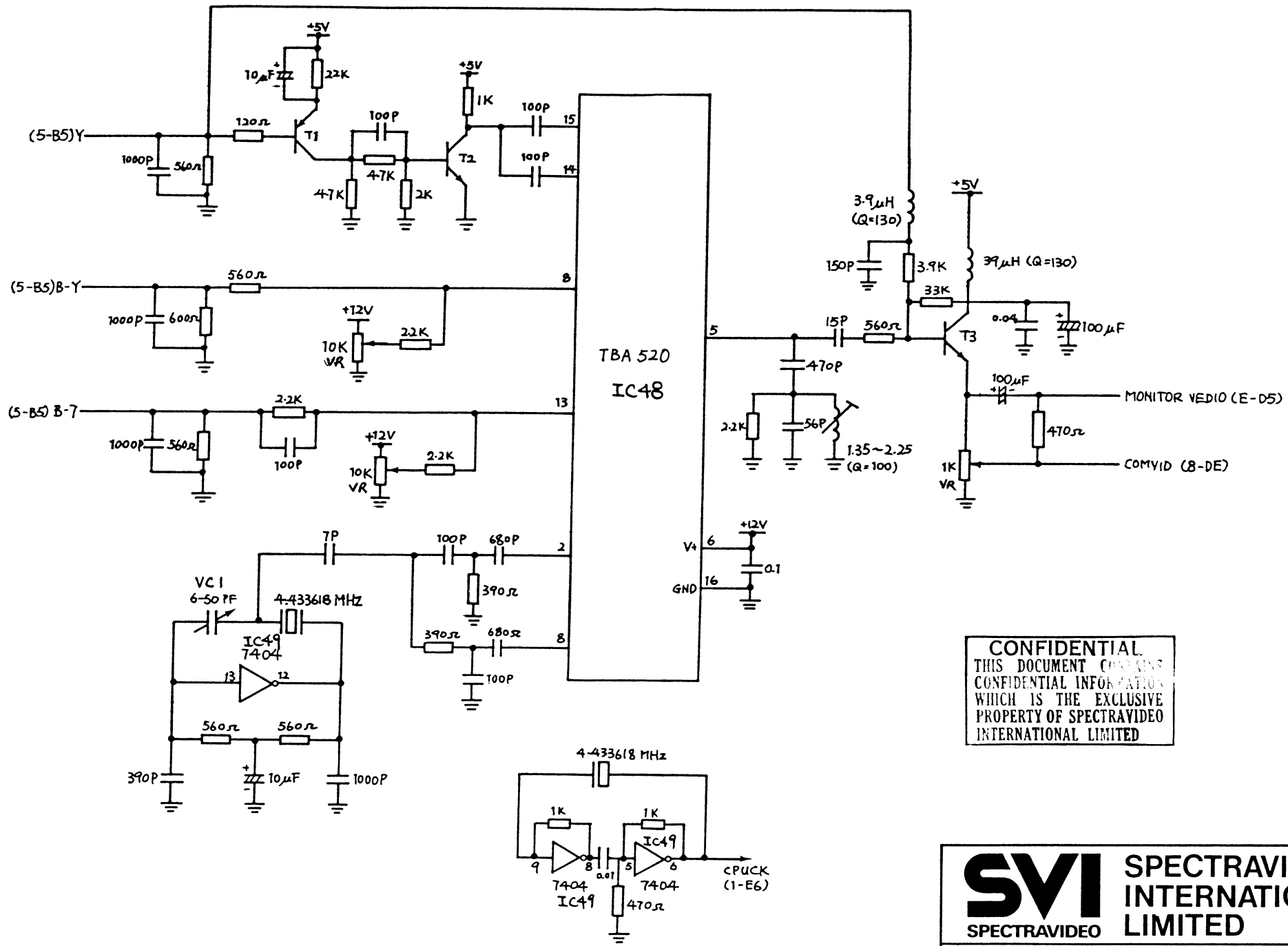


PIN	NAME
1	+5V
2	GND.
3	AUDIO
4	MONITOR VIDEO
5	RF VIDEO

SK5 VIDEO & AUDIO

CONFIDENTIAL
 THIS DOCUMENT CONTAINS
 CONFIDENTIAL INFORMATION
 WHICH IS THE EXCLUSIVE
 PROPERTY OF SPECTRAVIDEO
 INTERNATIONAL LIMITED

SVI SPECTRAVIDEO INTERNATIONAL LIMITED	
CONTROLLED ENGINEERING DOCUMENT THIS DOCUMENT CONTAINS CONFIDENTIAL INFORMATION WHICH IS THE EXCLUSIVE PROPERTY OF SPECTRAVIDEO INTERNATIONAL LTD.	
TITLE I/O PORT DESCRIPTION	VERIFIED BY <u>VICKY YEUNG V.Y.</u> DATE <u>MARCH 1984</u>
DOCUMENT NO STM-012-A	VERSION NO 1.5 SHEET 11 OF 12



CONFIDENTIAL
 THIS DOCUMENT CONTAINS
 CONFIDENTIAL INFORMATION
 WHICH IS THE EXCLUSIVE
 PROPERTY OF SPECTRAVIDEO
 INTERNATIONAL LIMITED

SVI SPECTRAVIDEO INTERNATIONAL LIMITED

CONTROLLED ENGINEERING DOCUMENT
 THIS DOCUMENT CONTAINS CONFIDENTIAL INFORMATION WHICH IS THE EXCLUSIVE PROPERTY OF SPECTRAVIDEO INTERNATIONAL LTD.

TITLE	VERIFIED
SVI - 315 / 328 PAL MODULATOR	BY <u>VICKY YEUNG V.Y.</u>
	DATE <u>MARCH 1984</u>

DOCUMENT NO	VERSION NO	SHEET OF
SPM - 013 - A	1.5	12 OF 12

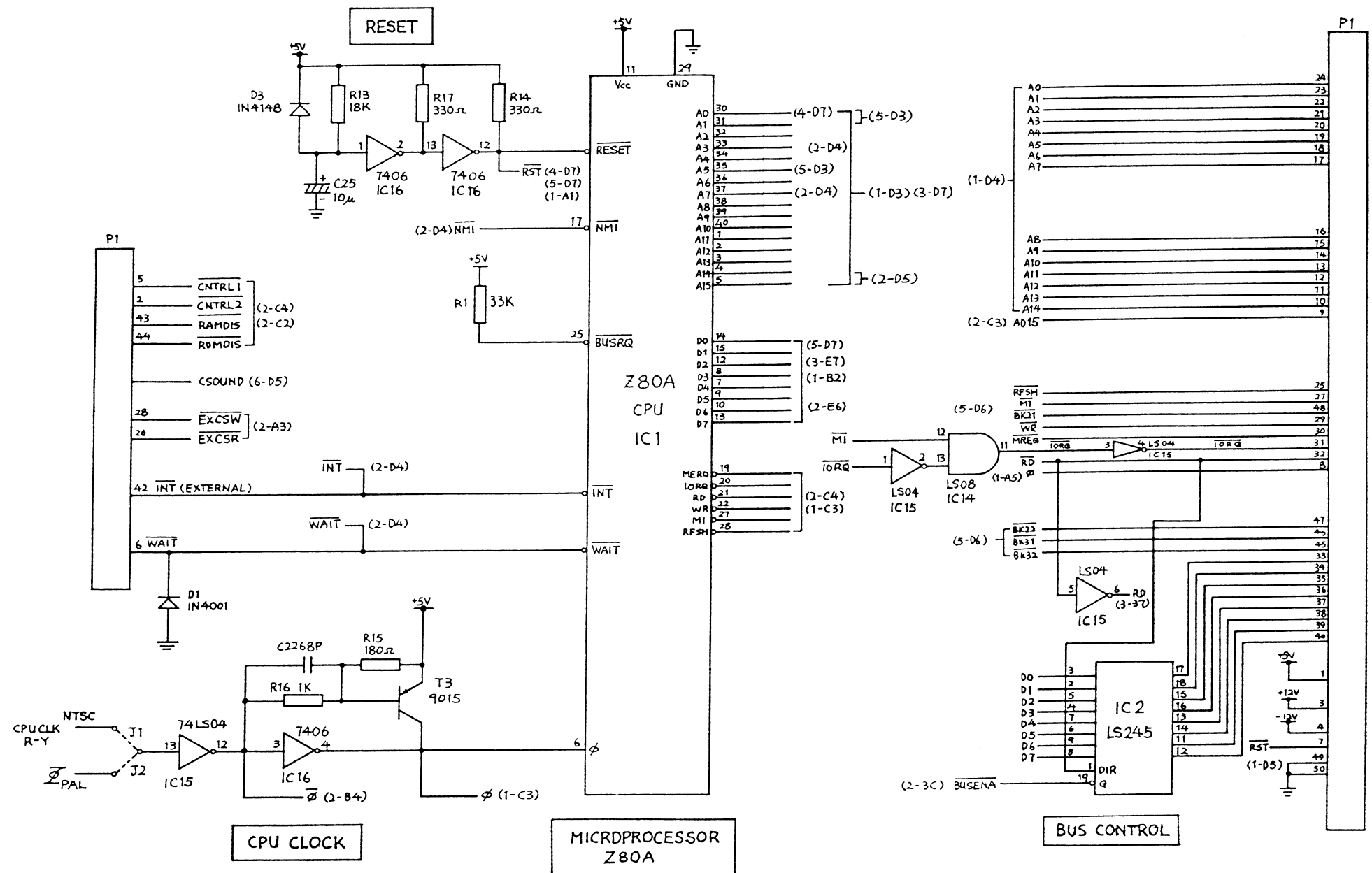
E

D

C

B

A



SVI-318MKII-CPU

CONFIDENTIAL
 THIS DOCUMENT CONTAINS
 CONFIDENTIAL INFORMATION
 WHICH IS THE EXCLUSIVE
 PROPERTY OF SPECTRAVIDEO
 INTERNATIONAL LIMITED

SVI SPECTRAVIDEO INTERNATIONAL LIMITED	
CONTROLLED ENGINEERING DOCUMENT THIS DOCUMENT CONTAINS CONFIDENTIAL INFORMATION WHICH IS THE EXCLUSIVE PROPERTY OF SPECTRAVIDEO INTERNATIONAL LTD.	
TITLE MKII CPU	VERIFIED BY <i>VICKY YOUNG</i> DATE <i>MARCH 1984</i>
DOCUMENT NO STM-014-A	VERSION NO 1.0 SHEET OF 1

E

D

C

B

A

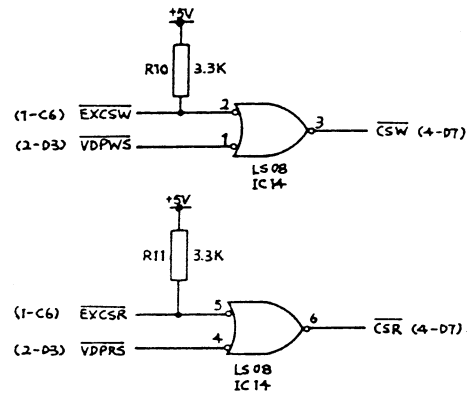
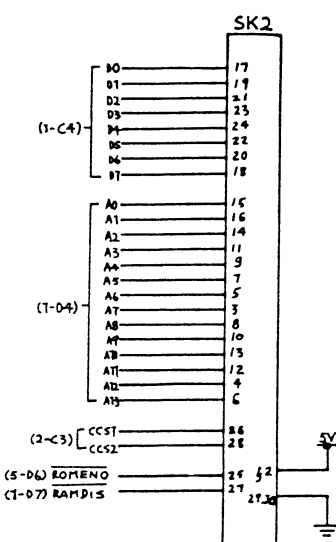
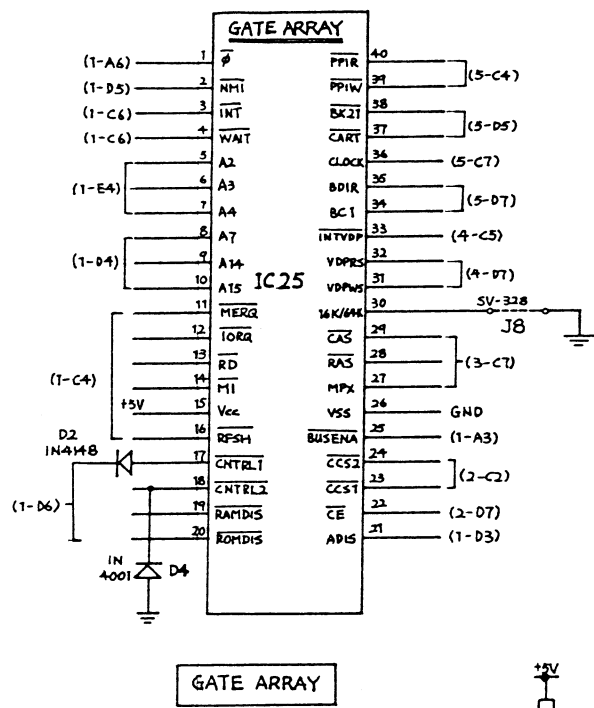
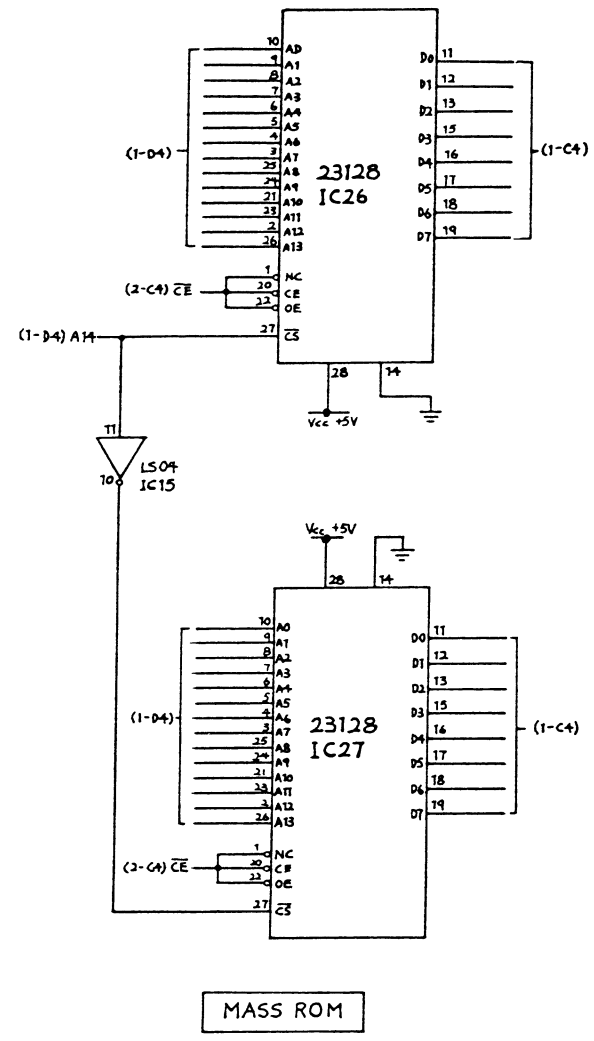
E

D

C

B

A



CONFIDENTIAL
 THIS DOCUMENT CONTAINS
 CONFIDENTIAL INFORMATION
 WHICH IS THE EXCLUSIVE
 PROPERTY OF SPECTRAVIDEO
 INTERNATIONAL LIMITED

SVI SPECTRAVIDEO INTERNATIONAL LIMITED	
CONTROLLED ENGINEERING DOCUMENT THIS DOCUMENT CONTAINS CONFIDENTIAL INFORMATION WHICH IS THE EXCLUSIVE PROPERTY OF SPECTRAVIDEO INTERNATIONAL LTD.	
TITLE MASS ROM & GATE ARRAY	VERIFIED BY <u>VICKY YELING V.Y.</u> DATE <u>MARCH 1984</u>
DOCUMENT NO STM-015-A	VERSION NO 1.0 SHEET OF 2

7

6

5

4

3

2

1

E

D

C

B

A

E

D

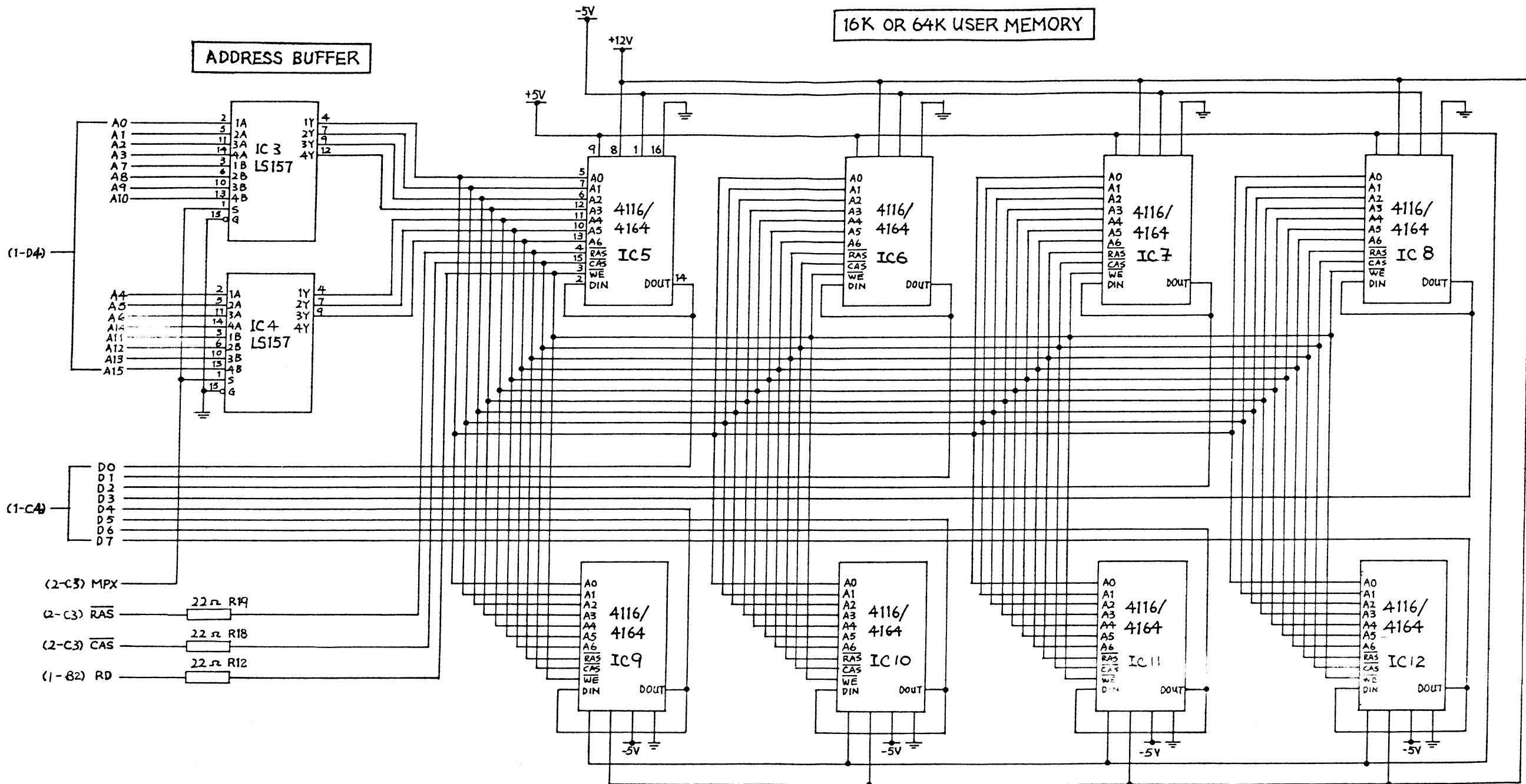
C

B

A

ADDRESS BUFFER

16K OR 64K USER MEMORY



CONFIDENTIAL
 THIS DOCUMENT CONTAINS
 CONFIDENTIAL INFORMATION
 WHICH IS THE EXCLUSIVE
 PROPERTY OF SPECTRAVIDEO
 INTERNATIONAL LIMITED

SVI SPECTRAVIDEO INTERNATIONAL LIMITED

CONTROLLED ENGINEERING DOCUMENT
 THIS DOCUMENT CONTAINS CONFIDENTIAL INFORMATION WHICH IS THE EXCLUSIVE PROPERTY OF SPECTRAVIDEO INTERNATIONAL LTD.

TITLE 16K OR 64K USER MEMORY	VERIFIED BY <u>VICKY YEUNG V.Y.</u> DATE <u>MARCH 1984</u>
DOCUMENT NO <u>STM-016-A</u>	VERSION NO <u>1.0</u> SHEET OF <u>3</u>

7

6

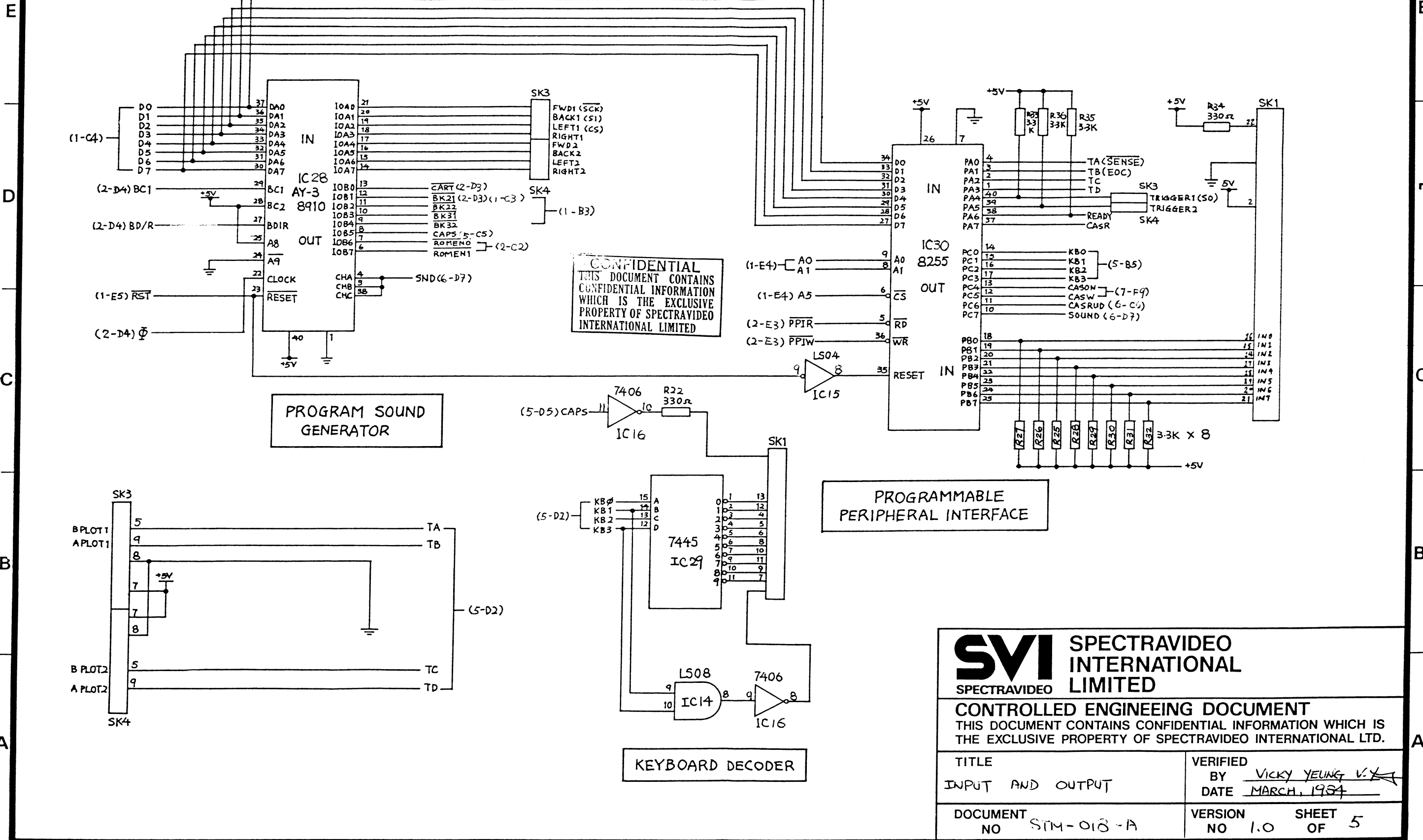
5

4

3

2

1



CONFIDENTIAL
 THIS DOCUMENT CONTAINS
 CONFIDENTIAL INFORMATION
 WHICH IS THE EXCLUSIVE
 PROPERTY OF SPECTRAVIDEO
 INTERNATIONAL LIMITED

PROGRAM SOUND
 GENERATOR

PROGRAMMABLE
 PERIPHERAL INTERFACE

KEYBOARD DECODER

SVI SPECTRAVIDEO
 INTERNATIONAL
 LIMITED

CONTROLLED ENGINEERING DOCUMENT
 THIS DOCUMENT CONTAINS CONFIDENTIAL INFORMATION WHICH IS
 THE EXCLUSIVE PROPERTY OF SPECTRAVIDEO INTERNATIONAL LTD.

TITLE INPUT AND OUTPUT	VERIFIED BY <u>VICKY YEUNG V.Y.</u> DATE <u>MARCH, 1984</u>
DOCUMENT NO <u>STM-018-A</u>	VERSION NO <u>1.0</u> SHEET OF <u>5</u>

E

D

C

B

A

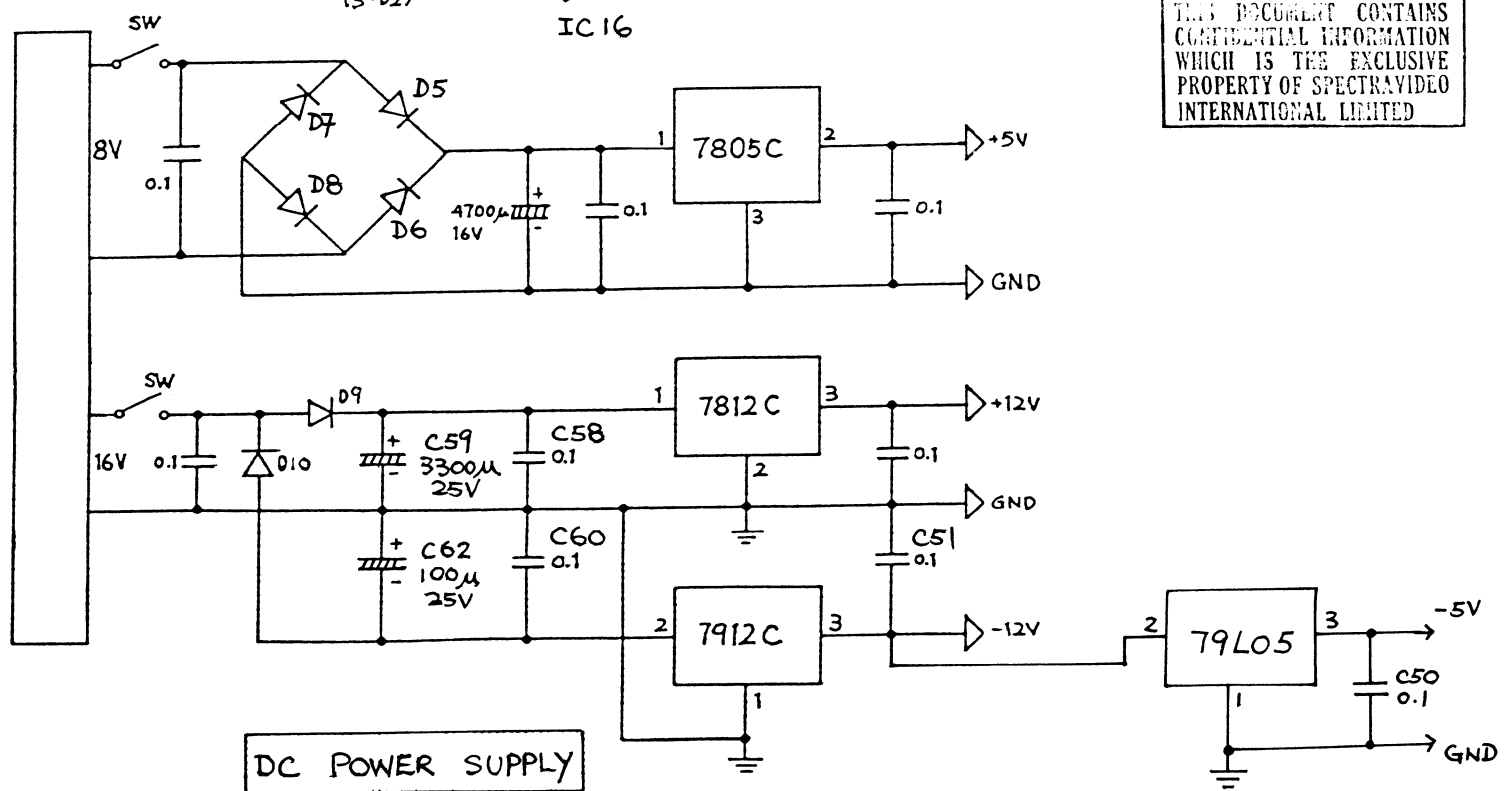
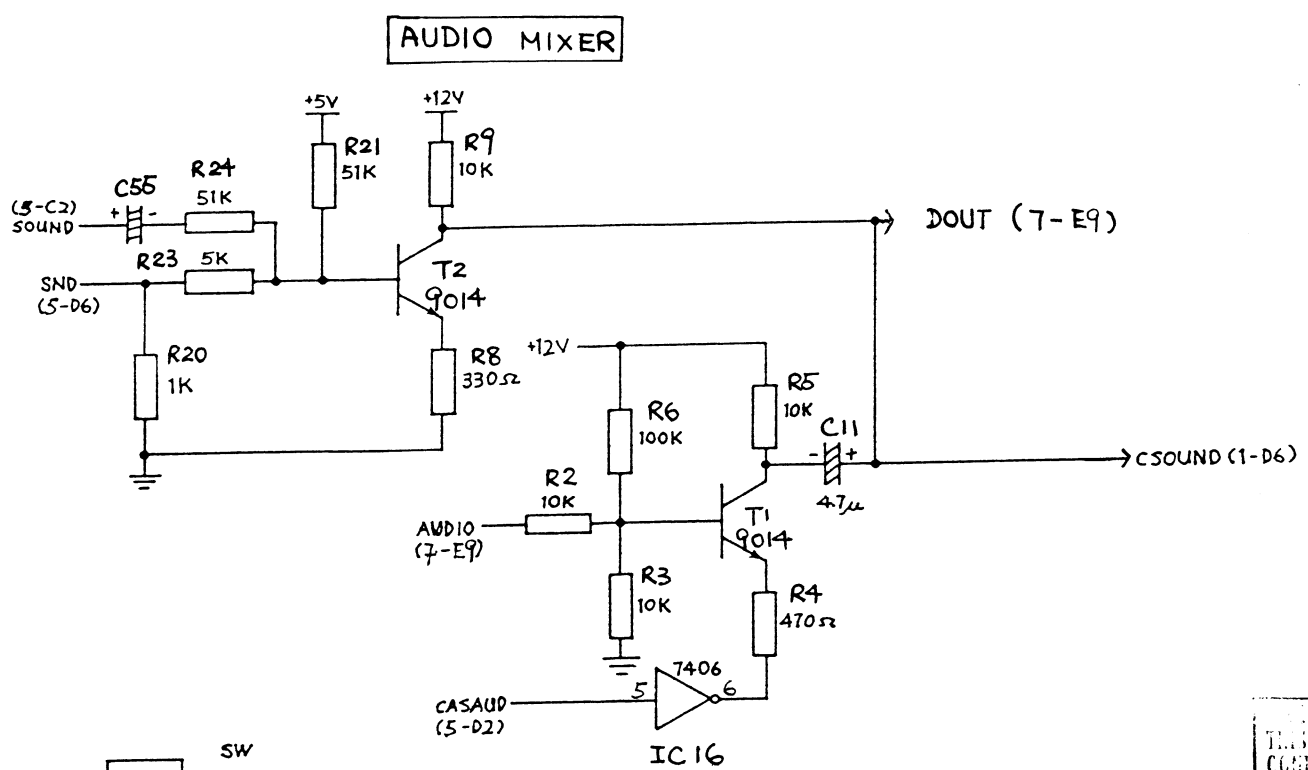
E

D

C

B

A



CONFIDENTIAL
THIS DOCUMENT CONTAINS
CONFIDENTIAL INFORMATION
WHICH IS THE EXCLUSIVE
PROPERTY OF SPECTRAVIDEO
INTERNATIONAL LIMITED

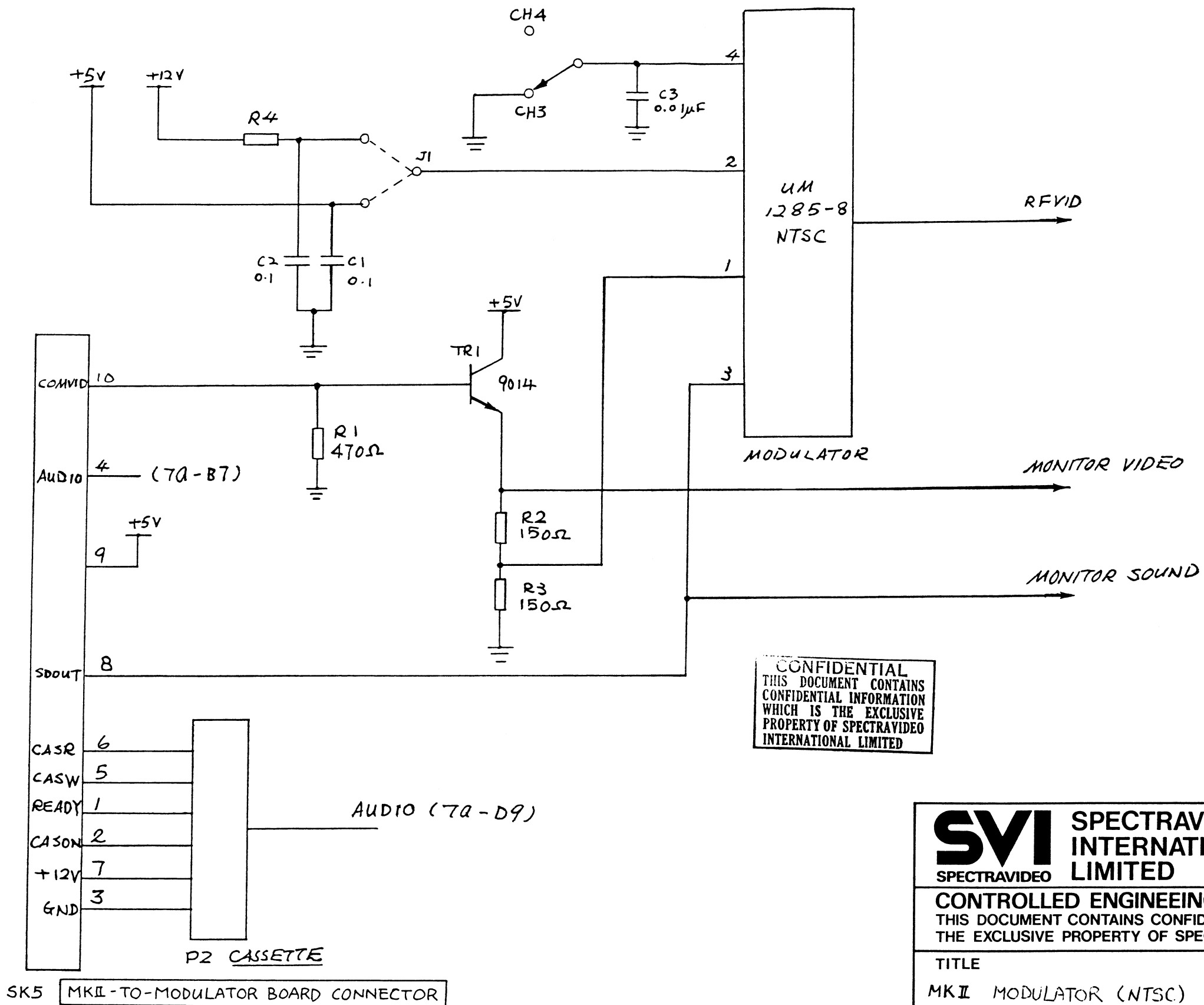
PIN	NAME	PIN	NAME
1	+5V	2	CNTRL2
3	+12V	4	-12V
5	CNTRL1	6	WAIT
7	RST	8	CPU CLK
9	A15	10	A14
11	A13	12	A12
13	A11	14	A10
15	A9	16	A8
17	A7	18	A6
19	A5	20	A4
21	A3	22	A2
23	A1	24	A0
25	RFSH	26	EXCSR
27	MI	28	EXCSW
29	WR	30	MREQ
31	IORQ	32	RD
33	D0	34	D1
35	D2	36	D3
37	D4	38	D5
39	D6	40	D7
41	CSOUND	42	INT
43	RAMDIS	44	ROMDIS
45	BK32	46	BK31
47	BK22	48	BK21
49	GND	50	GND

EXT. BUS PIN ASSIGNMENT

SVI SPECTRAVIDEO INTERNATIONAL LIMITED

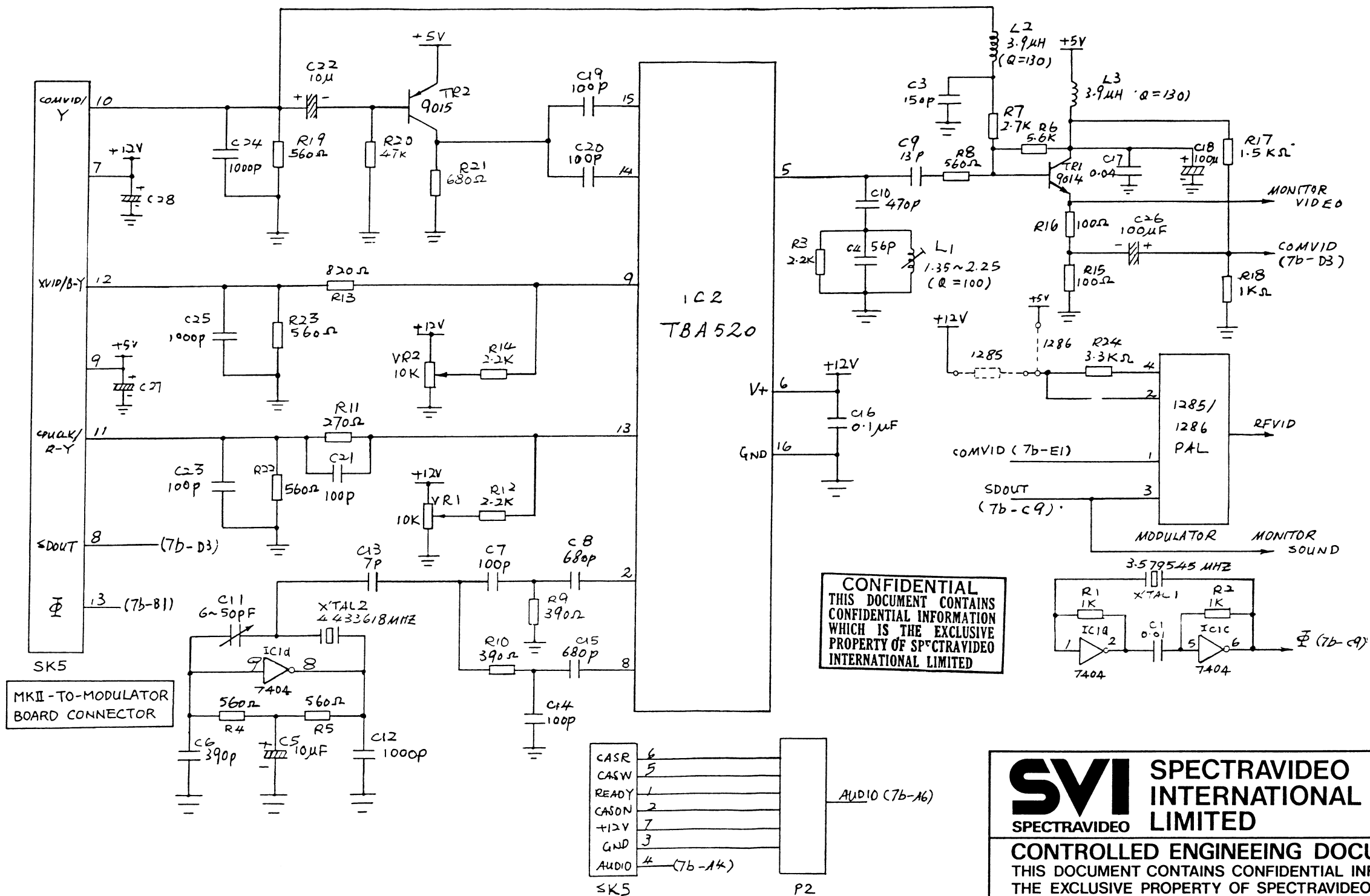
CONTROLLED ENGINEERING DOCUMENT
THIS DOCUMENT CONTAINS CONFIDENTIAL INFORMATION WHICH IS THE EXCLUSIVE PROPERTY OF SPECTRAVIDEO INTERNATIONAL LTD.

TITLE AUDIO MIXER & POWER SUPPLY	VERIFIED BY <i>VICKY YOUNG V. Y.</i> DATE <i>MARCH, 1984</i>
DOCUMENT NO STM-019-A	VERSION NO 1.0 SHEET OF 6



CONFIDENTIAL
 THIS DOCUMENT CONTAINS
 CONFIDENTIAL INFORMATION
 WHICH IS THE EXCLUSIVE
 PROPERTY OF SPECTRAVIDEO
 INTERNATIONAL LIMITED

SVI SPECTRAVIDEO INTERNATIONAL LIMITED	
CONTROLLED ENGINEERING DOCUMENT THIS DOCUMENT CONTAINS CONFIDENTIAL INFORMATION WHICH IS THE EXCLUSIVE PROPERTY OF SPECTRAVIDEO INTERNATIONAL LTD.	
TITLE MKII MODULATOR (NTSC)	VERIFIED BY <i>VICKY YEUNG V-Y</i> DATE <i>MARCH, 1984</i>
DOCUMENT NO STM-020-A	VERSION NO 1.0 SHEET OF 7a

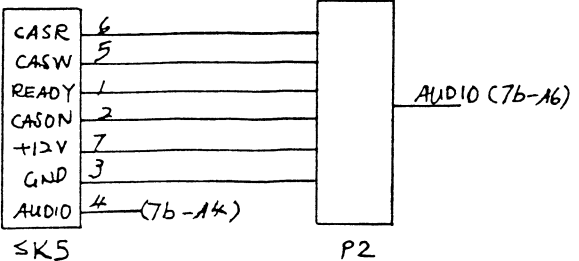


CONFIDENTIAL
 THIS DOCUMENT CONTAINS
 CONFIDENTIAL INFORMATION
 WHICH IS THE EXCLUSIVE
 PROPERTY OF SPECTRAVIDEO
 INTERNATIONAL LIMITED

SVI SPECTRAVIDEO INTERNATIONAL LIMITED

CONTROLLED ENGINEERING DOCUMENT
 THIS DOCUMENT CONTAINS CONFIDENTIAL INFORMATION WHICH IS THE EXCLUSIVE PROPERTY OF SPECTRAVIDEO INTERNATIONAL LTD.

TITLE MKII MODULATOR (PAL)	VERIFIED BY <u>VICKY YEUNG V.Y.</u> DATE <u>MARCH 1984</u>
DOCUMENT NO STM-021-A	VERSION NO 1.0 SHEET OF 76



MKII - TO-MODULATOR BOARD CONNECTOR

E

D

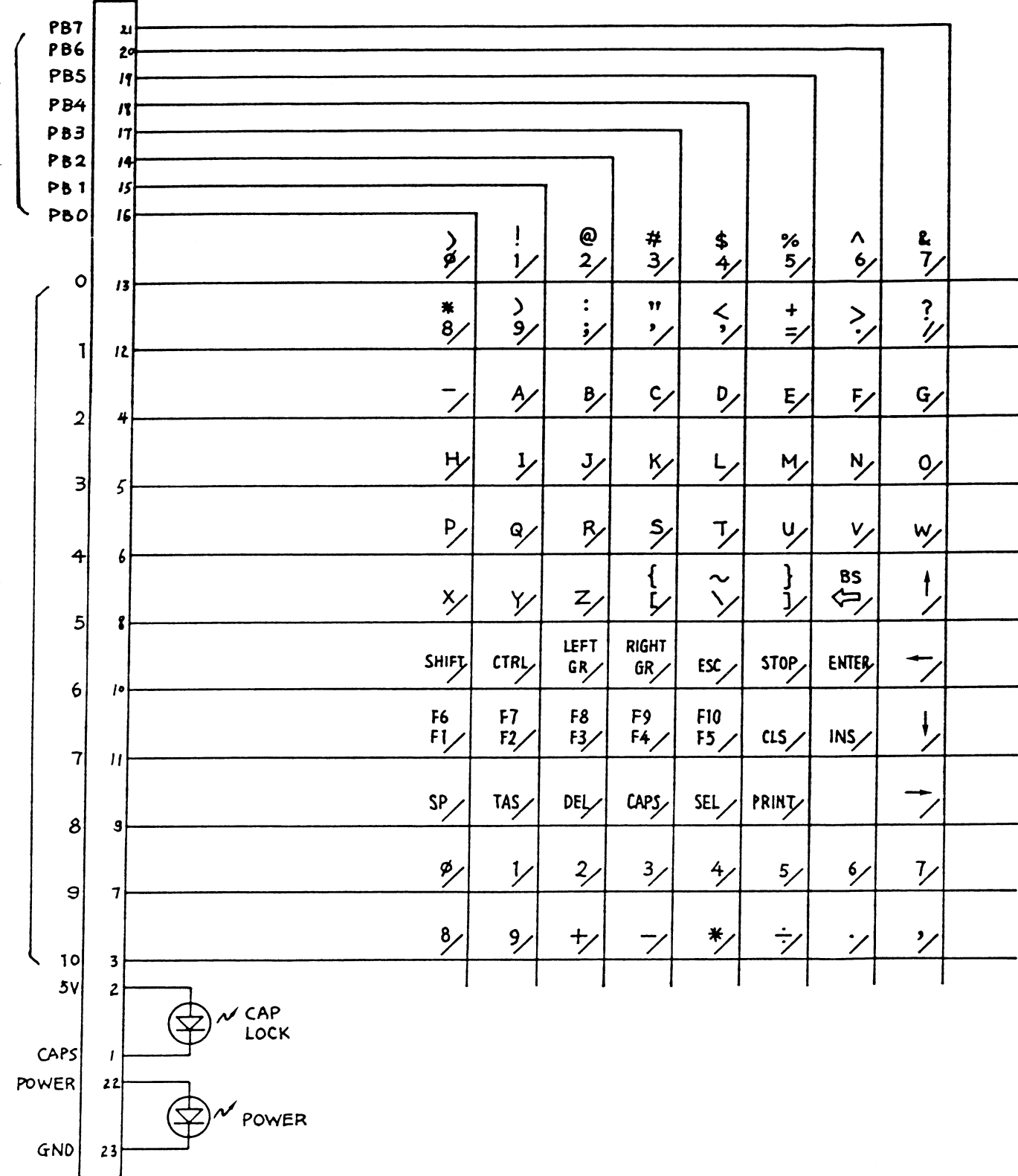
C

B

A

INPUT

OUTPUT



SK1 KEYBOARD

CONFIDENTIAL
 THIS DOCUMENT CONTAINS
 CONFIDENTIAL INFORMATION
 WHICH IS THE EXCLUSIVE
 PROPERTY OF SPECTRAVIDEO
 INTERNATIONAL LIMITED

SVI SPECTRAVIDEO INTERNATIONAL LIMITED

CONTROLLED ENGINEERING DOCUMENT
 THIS DOCUMENT CONTAINS CONFIDENTIAL INFORMATION WHICH IS THE EXCLUSIVE PROPERTY OF SPECTRAVIDEO INTERNATIONAL LTD.

TITLE ASCII KEYBOARD	VERIFIED BY <u>VICKY YEUNG V.Y.</u> DATE <u>MARCH, 1984</u>
DOCUMENT NO STM-022-A	VERSION NO 1.0 SHEET OF 8a

7

6

5

4

3

2

1

E

D

C

B

A

PIN	NAME	PIN	NAME
1	+5V	2	+5V
3	A7	4	A12
5	A6	6	A13
7	A5	8	A8
9	A4	10	A9
11	A3	12	A11
13	A10	14	A2
15	A0	16	A1
17	D0	18	D7
19	D1	20	D6
21	D2	22	D5
23	D3	24	D4
25	CCS3	26	CCS4
27	CCS1	28	CCS2
29	Gnd.	30	Gnd.

GAME CARTRIDGE

PIN	NAME
1	12V
2	CASR
3	CASW
4	AUDIO
5	Gnd.
6	ME
7	READY

CASSETTE

CONFIDENTIAL
 THIS DOCUMENT CONTAINS
 CONFIDENTIAL INFORMATION
 WHICH IS THE EXCLUSIVE
 PROPERTY OF SPECTRAVIDEO
 INTERNATIONAL LIMITED

PIN	NAME
1	CAPS
2	5V
3	OUTPUT 10
4	OUTPUT 2
5	OUTPUT 3
6	OUTPUT 4
7	OUTPUT 9
8	OUTPUT 5
9	OUTPUT 8
10	OUTPUT 6
11	OUTPUT 7
12	OUTPUT 1
13	OUTPUT 0
14	INPUT 2
15	INPUT 1
16	INPUT 0
17	INPUT 3
18	INPUT 4
19	INPUT 5
20	INPUT 6
21	INPUT 7
22	POWER
23	Gnd.
24	
25	

KEYBOARD

SVI SPECTRAVIDEO
 INTERNATIONAL
 SPECTRAVIDEO LIMITED

CONTROLLED ENGINEERING DOCUMENT
 THIS DOCUMENT CONTAINS CONFIDENTIAL INFORMATION WHICH IS
 THE EXCLUSIVE PROPERTY OF SPECTRAVIDEO INTERNATIONAL LTD.

TITLE I/O PORT DESCRIPTION	VERIFIED BY <u>VICKY YEUNG V.Y.</u> DATE <u>MARCH, 1984</u>
-------------------------------	---

DOCUMENT NO <u>STM-023-A</u>	VERSION NO <u>1.0</u>	SHEET OF <u>8b</u>
---------------------------------	--------------------------	-----------------------

7

6

5

4

3

2

1

E

D

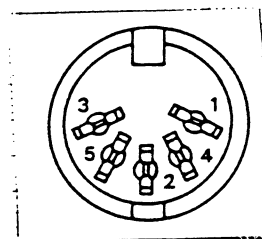
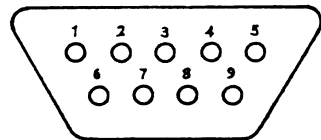
C

B

A

PIN	NAME
1	FORWARD / SCK
2	BACKWARD / SI
3	LEFT / CS
4	RIGHT / SENCTR
5	SENSE
6	TRIGGER
7	+5V
8	GND
9	EOC

SK3 JOYSTICK 1



PIN	NAME
1	+5V
2	GND.
3	AUDIO
4	MONITOR VIDEO
5	RF VIDEO

SK5 VIDEO & AUDIO

PIN	NAME
1	FORWARD / SCK
2	BACKWARD / SI
3	LEFT / CS
4	RIGHT / SENCTR
5	SENSE
6	TRIGGER
7	+5V
8	GND.
9	EOC

SK4 JOYSTICK 2

CONFIDENTIAL
 THIS DOCUMENT CONTAINS
 CONFIDENTIAL INFORMATION
 WHICH IS THE EXCLUSIVE
 PROPERTY OF SPECTRAVIDEO
 INTERNATIONAL LIMITED

SVI SPECTRAVIDEO INTERNATIONAL LIMITED	
CONTROLLED ENGINEERING DOCUMENT THIS DOCUMENT CONTAINS CONFIDENTIAL INFORMATION WHICH IS THE EXCLUSIVE PROPERTY OF SPECTRAVIDEO INTERNATIONAL LTD.	
TITLE I/O PORT DESCRIPTION	VERIFIED BY <u>VICKY YEUNG V-Y</u> DATE <u>MARCH, 1984</u>
DOCUMENT NO STM-024-A	VERSION NO 1.0 SHEET OF 80

E

D

C

B

A

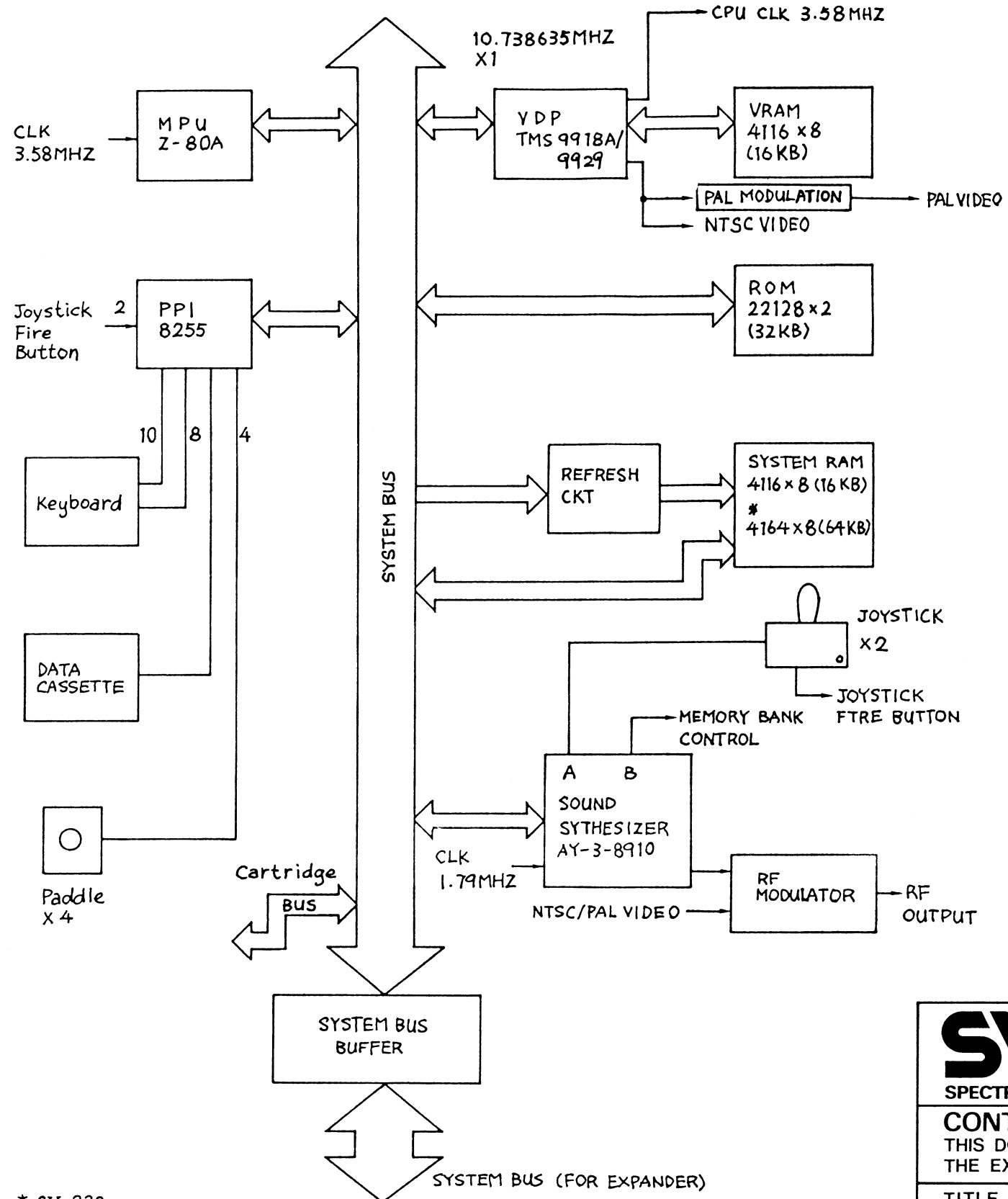
E

D

C

B

A



CONFIDENTIAL
 THIS DOCUMENT CONTAINS
 CONFIDENTIAL INFORMATION
 WHICH IS THE EXCLUSIVE
 PROPERTY OF SPECTRAVIDEO
 INTERNATIONAL LIMITED

* SV-328

SVI318, 328 or MKII SYSTEM ARCHITECTURE

CONTROLLED ENGINEERING DOCUMENT THIS DOCUMENT CONTAINS CONFIDENTIAL INFORMATION WHICH IS THE EXCLUSIVE PROPERTY OF SPECTRAVIDEO INTERNATIONAL LTD.	
TITLE SVI 318/328 or MKII SYSTEM ARCHITECTURE	VERIFIED BY <u>VICKY YEUNG V. Y.</u> DATE <u>MARCH, 1984</u>
DOCUMENT NO <u>SVI-025-A</u>	VERSION NO <u>1.0</u> SHEET OF <u>1</u>

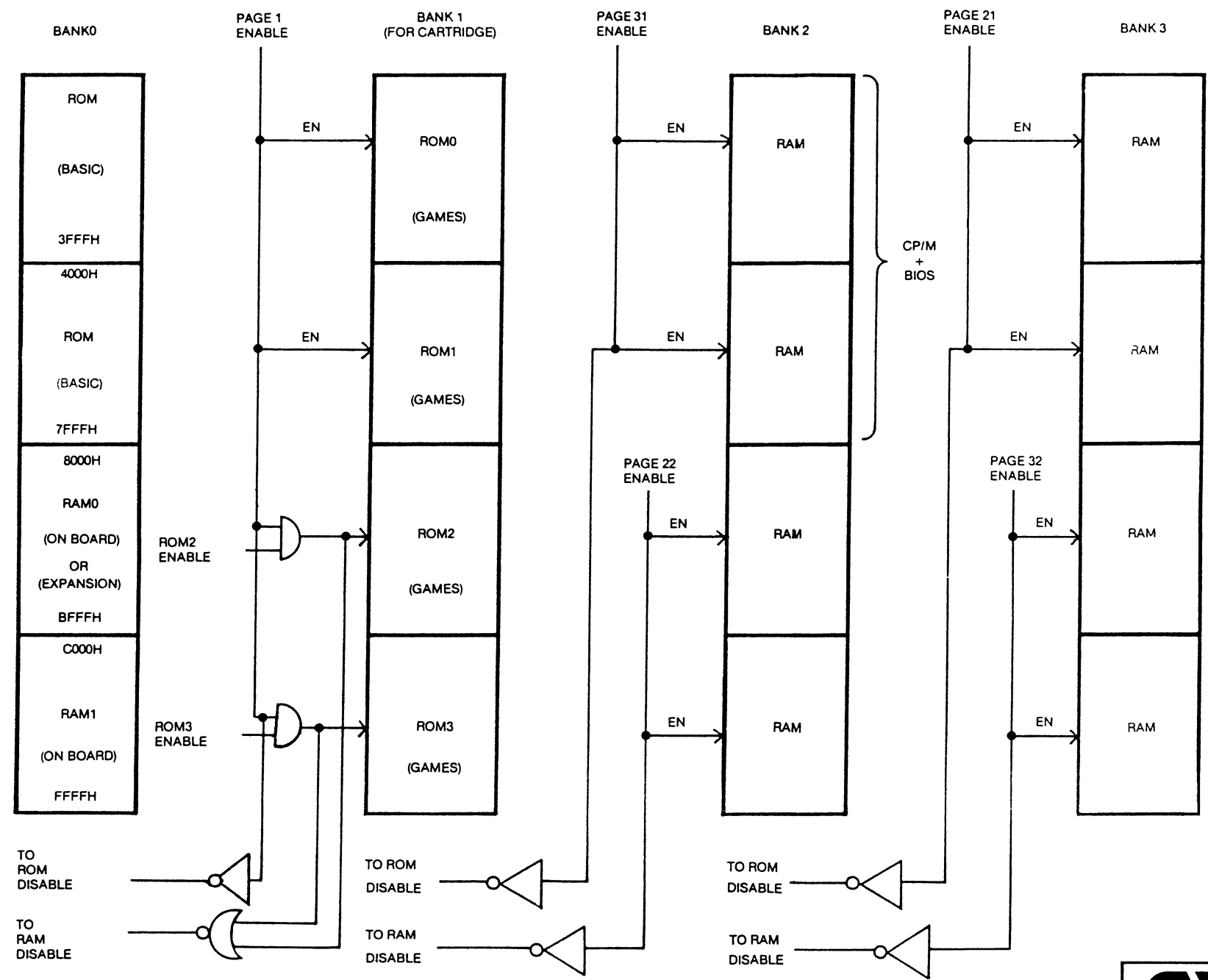
E

D

C

B

A

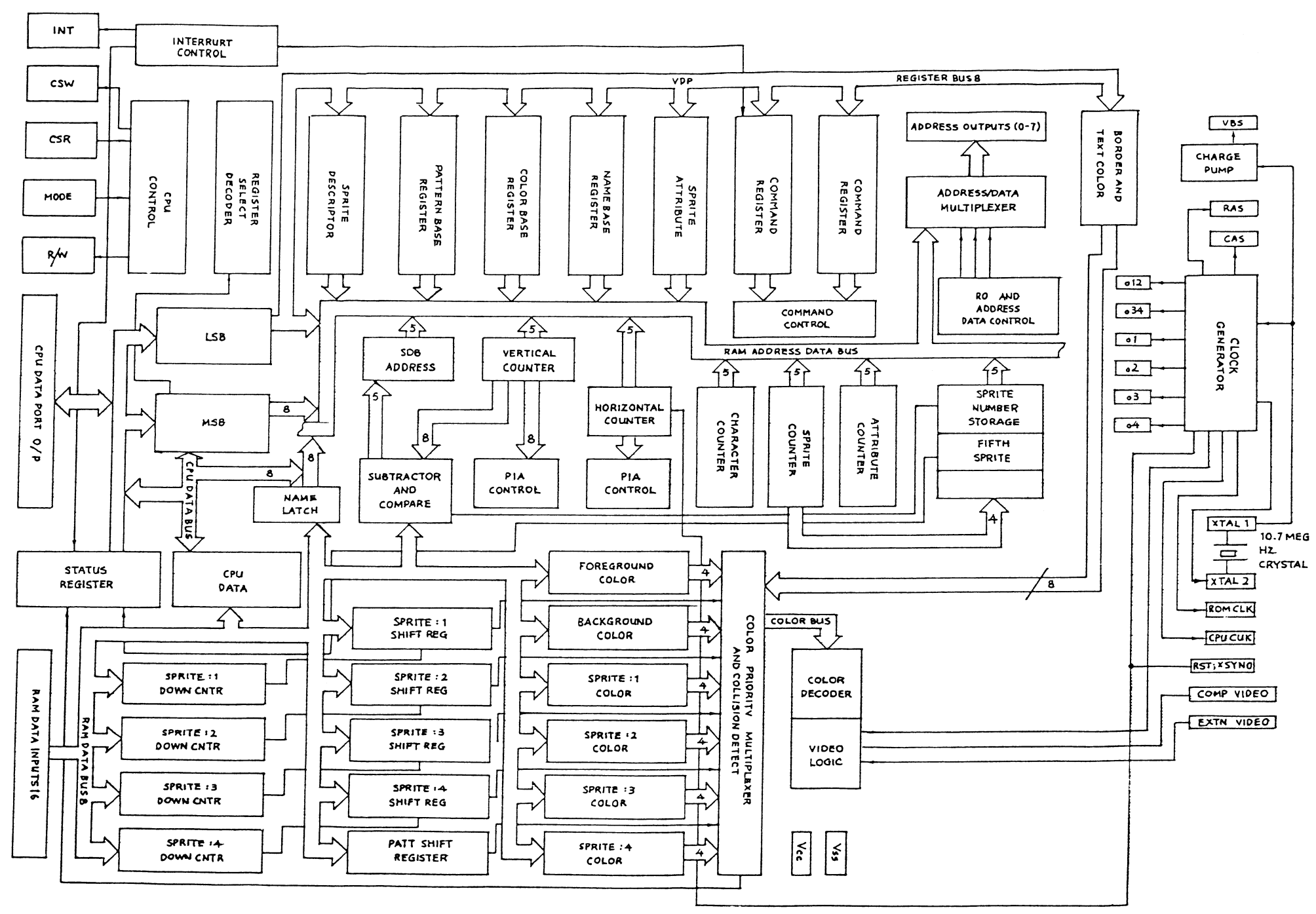


CONFIDENTIAL
 THIS DOCUMENT CONTAINS
 CONFIDENTIAL INFORMATION
 WHICH IS THE EXCLUSIVE
 PROPERTY OF SPECTRAVIDEO
 INTERNATIONAL LIMITED

SVI SPECTRAVIDEO INTERNATIONAL LIMITED

CONTROLLED ENGINEERING DOCUMENT
 THIS DOCUMENT CONTAINS CONFIDENTIAL INFORMATION WHICH IS THE EXCLUSIVE PROPERTY OF SPECTRAVIDEO INTERNATIONAL LTD.

TITLE SVI 318/325 CP/MK II MEMORY MAP BLOCK DIAGRAM	VERIFIED BY <u>VICKY YEUNG V.Y.</u> DATE <u>MARCH, 1984</u>
DOCUMENT NO <u>STM-026-A</u>	VERSION NO <u>1.0</u> SHEET OF <u>2</u>



CONFIDENTIAL
THIS DOCUMENT CONTAINS
CONFIDENTIAL INFORMATION
WHICH IS THE EXCLUSIVE
PROPERTY OF SPECTRAVIDEO
INTERNATIONAL LIMITED

SVI SPECTRAVIDEO INTERNATIONAL LIMITED

CONTROLLED ENGINEERING DOCUMENT
THIS DOCUMENT CONTAINS CONFIDENTIAL INFORMATION WHICH IS THE EXCLUSIVE PROPERTY OF SPECTRAVIDEO INTERNATIONAL LTD.

TITLE
TMS 9918A/9929 VIDEO DISPLAY
PROCESSOR BLOCK DIAGRAM

VERIFIED
BY VICKY YEUNG V.Y.
DATE MARCH, 1984

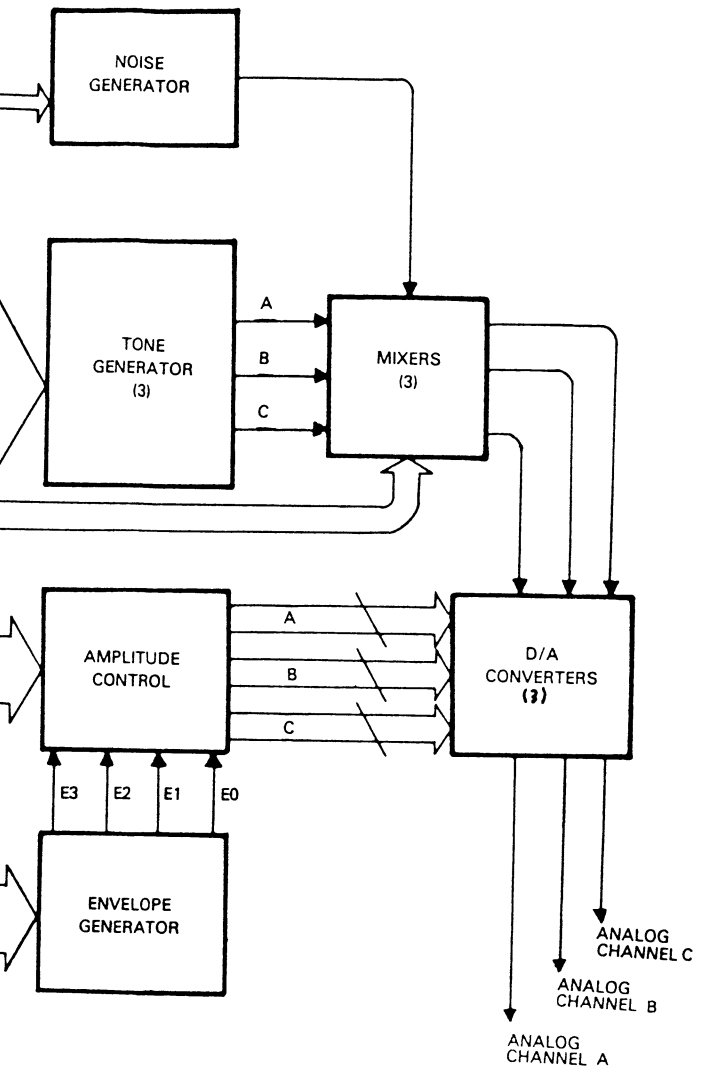
DOCUMENT NO STM-027-A

VERSION NO 1.0 SHEET OF 3

PSG BLOCK DIAGRAM

REGISTER	BIT	B7	B6	B5	B4	B3	B2	B1	B0
R0		8-BIT Fine Tune A							
R1	Channel A Tone Period	8-BIT Fine Tune A				4 BIT Coarse Tune A			
R2	Channel B Tone Period	8-BIT Fine Tune B				4 BIT Coarse Tune B			
R3	Channel B Tone Period	8-BIT Fine Tune B				4 BIT Coarse Tune B			
R4	Channel C Tone Period	8 BIT Fine Tune C							
R5	Channel C Tone Period	8 BIT Fine Tune C				4 BIT Coarse Tune C			
R6	Noise Period	5 BIT Period Control							
R7	Enable	IN/OUT		Noise			Tone		
		I0B	I0A	C	B	A	C	B	A
R8	Channel A Amplitude	8-BIT Fine Tune A			M	L3	L2	L1	L0
R9	Channel B Amplitude	8-BIT Fine Tune B			M	L3	L2	L1	L0
R10	Channel C Amplitude	8-BIT Fine Tune C			M	L3	L2	L1	L0
R11	Envelope Period	8 BIT Fine Tune E							
R12	Envelope Period	8 BIT Coarse Tune E							
R13	Envelope Shape/Cycle	8 BIT Fine Tune E				CONT.	ATT.	ALT.	HOLD

REGISTERED ARRAY
(14 READ/WRITE
CONTROL REGISTERS)

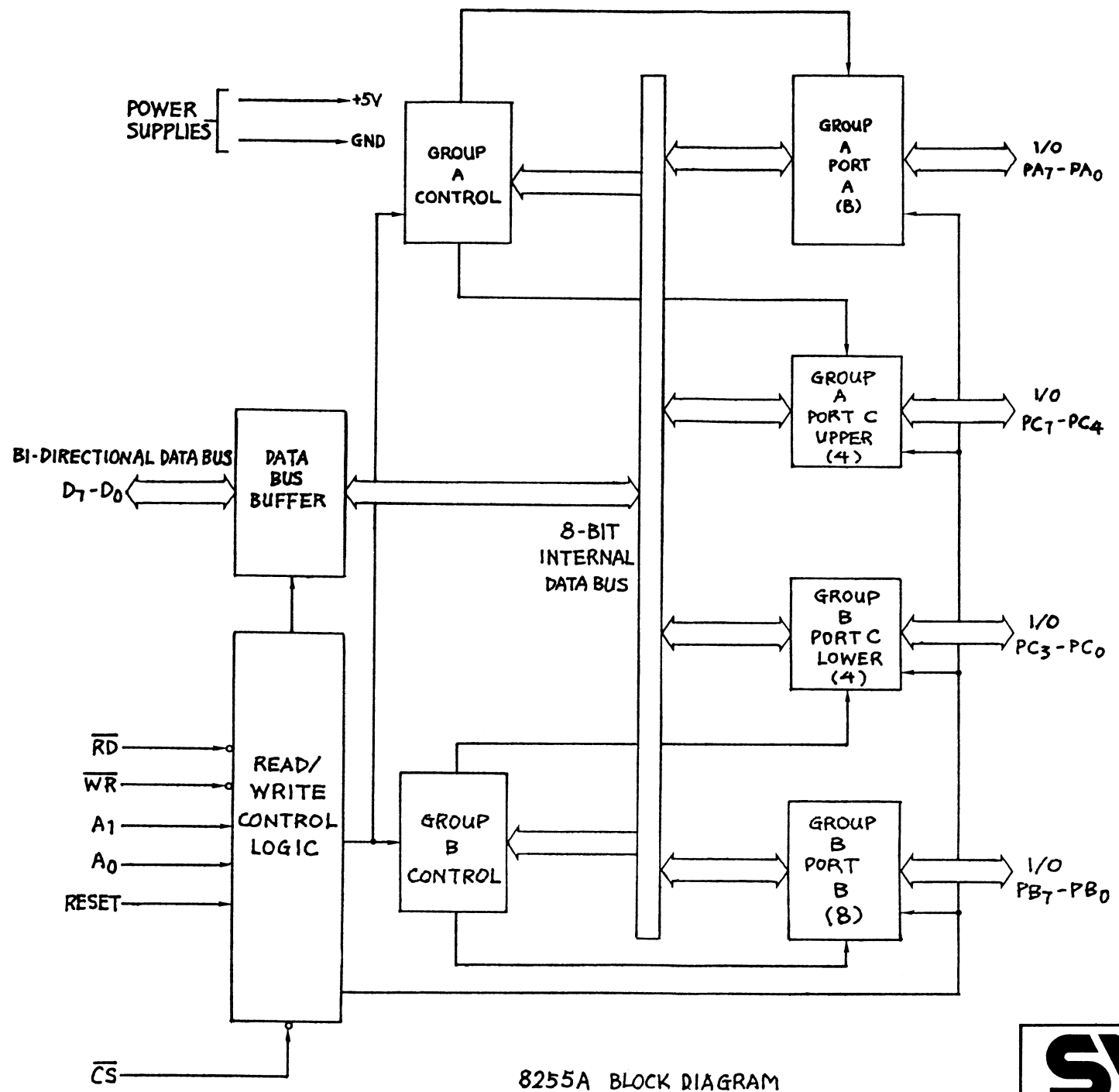


CONFIDENTIAL
THIS DOCUMENT CONTAINS
CONFIDENTIAL INFORMATION
WHICH IS THE EXCLUSIVE
PROPERTY OF SPECTRAVIDEO
INTERNATIONAL LIMITED

SVI SPECTRAVIDEO INTERNATIONAL LIMITED

CONTROLLED ENGINEERING DOCUMENT
THIS DOCUMENT CONTAINS CONFIDENTIAL INFORMATION WHICH IS THE EXCLUSIVE PROPERTY OF SPECTRAVIDEO INTERNATIONAL LTD.

TITLE AY-3-8910 PROGRAMMABLE SOUND GENERATOR BLOCK DIAGRAM	VERIFIED BY <u>VICKY YELUN V-Y</u> DATE <u>MARCH, 1984</u>
DOCUMENT NO STM-025-1A	VERSION NO 1.0 SHEET OF 4



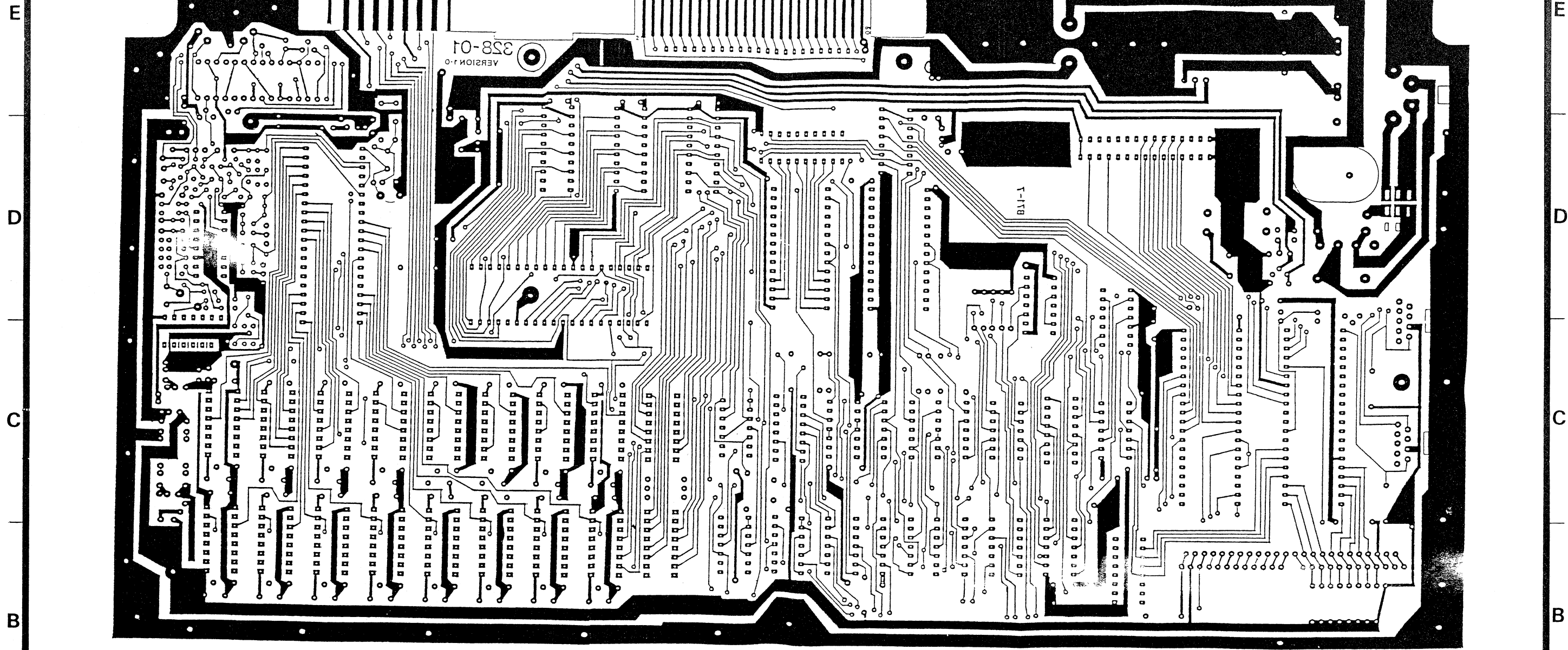
CONFIDENTIAL
 THIS DOCUMENT CONTAINS
 CONFIDENTIAL INFORMATION
 WHICH IS THE EXCLUSIVE
 PROPERTY OF SPECTRAVIDEO
 INTERNATIONAL LIMITED

SVI SPECTRAVIDEO INTERNATIONAL LIMITED

CONTROLLED ENGINEERING DOCUMENT
 THIS DOCUMENT CONTAINS CONFIDENTIAL INFORMATION WHICH IS THE EXCLUSIVE PROPERTY OF SPECTRAVIDEO INTERNATIONAL LTD.

TITLE 8255A PROGRAMMABLE PERIP - -HERAL INTERFACE BLOCK DIAGRAM	VERIFIED BY <u>VICKY YEUNG V.Y.</u> DATE <u>MARCH, 1984</u>
DOCUMENT NO <u>STM-029-A</u>	VERSION NO <u>1.0</u> SHEET OF <u>5</u>

7 6 5 4 3 2 1



SOLDER SIDE SVI-328

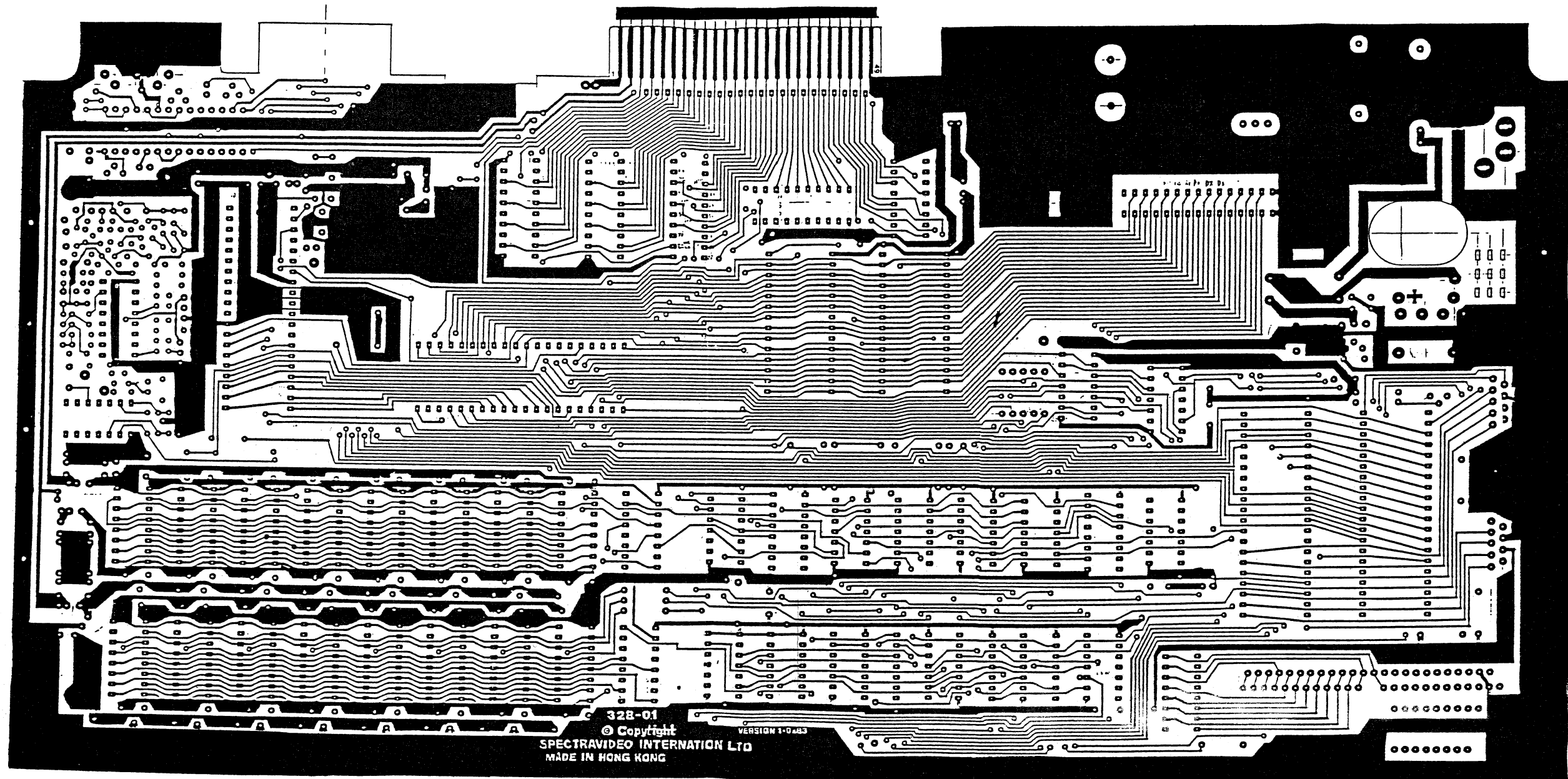
A

SVI SPECTRAVIDEO SPECTRAVIDEO LIMITED	
CONTROLLED ENGINEERING DOCUMENT THIS DOCUMENT CONTAINS CONFIDENTIAL INFORMATION WHICH IS THE EXCLUSIVE PROPERTY OF SPECTRAVIDEO INTERNATIONAL LTD.	
TITLE SVI - 318 / 328 PCB	VERIFIED BY <u>VERY YEVING V.Y.</u> DATE <u>MARCH, 1984</u>
DOCUMENT NO STM - 030 - A	VERSION SHEET NO 1.5 OF 1

7 6 5 4 3 2 1

7 6 5 4 3 2 1

E
D
C
B
A



328-01
 © Copyright
 SPECTRAVIDEO INTERNATIONAL LTD
 MADE IN HONG KONG
 VERSION 1-0-83

COMPONENT SIDE SVI-328

SVI SPECTRAVIDEO INTERNATIONAL LIMITED SPECTRAVIDEO LIMITED	
CONTROLLED ENGINEERING DOCUMENT THIS DOCUMENT CONTAINS CONFIDENTIAL INFORMATION WHICH IS THE EXCLUSIVE PROPERTY OF SPECTRAVIDEO INTERNATIONAL LTD.	
TITLE SVI - 318/328 PCB	VERIFIED BY <u>VICKY YEUNG V.Y.</u> DATE <u>MARCH, 1984</u>
DOCUMENT NO STM-031-A	VERSION NO 1.5 SHEET OF 2

7 6 5 4 3 2 1

7 6 5 4 3 2 1

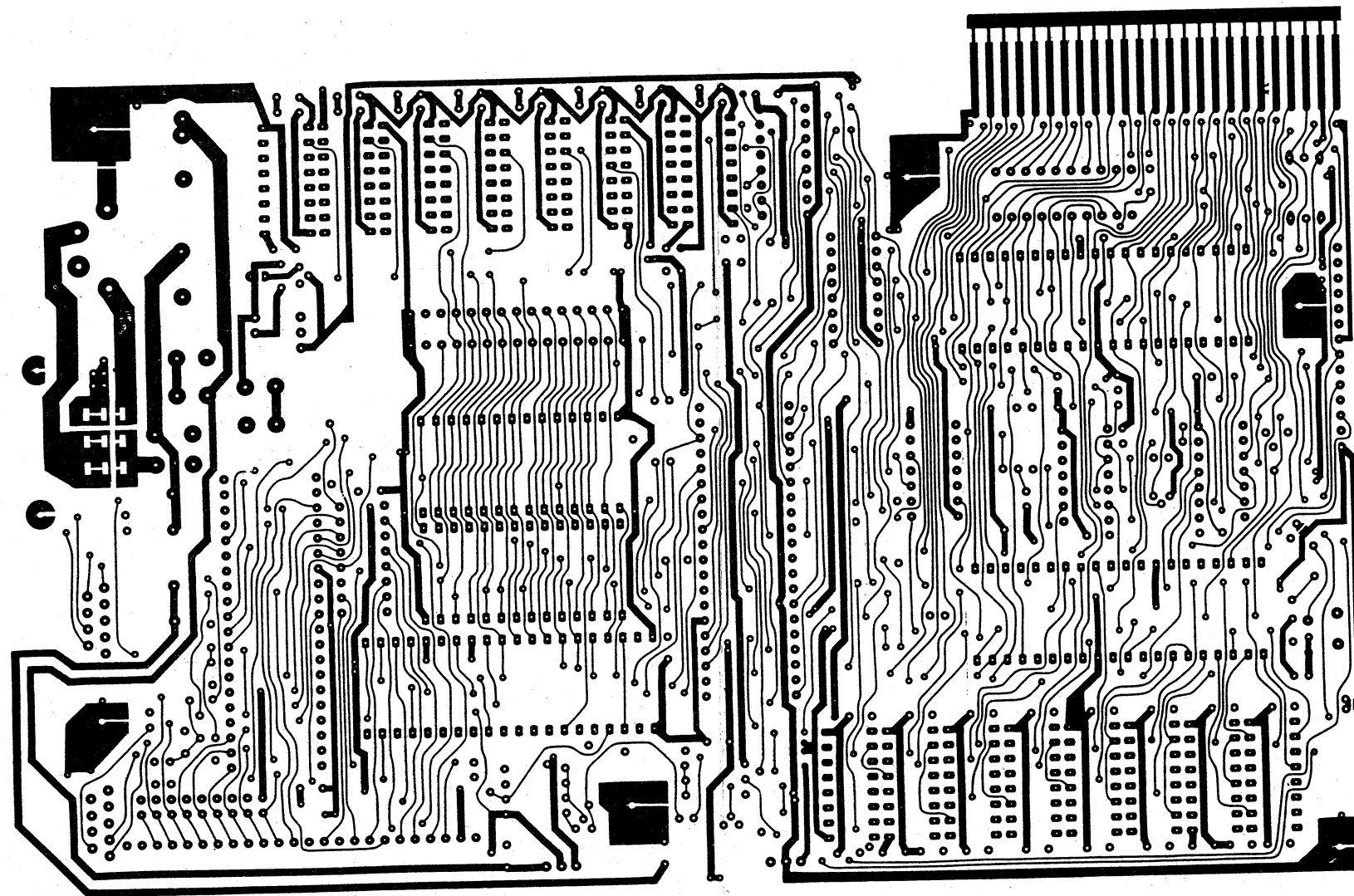
E E

D D

C C

B B

A A



— SOLDER SIDE —

SVI SPECTRAVIDEO
 SPECTRAVIDEO INTERNATIONAL
 LIMITED

CONTROLLED ENGINEERING DOCUMENT
 THIS DOCUMENT CONTAINS CONFIDENTIAL INFORMATION WHICH IS
 THE EXCLUSIVE PROPERTY OF SPECTRAVIDEO INTERNATIONAL LTD.

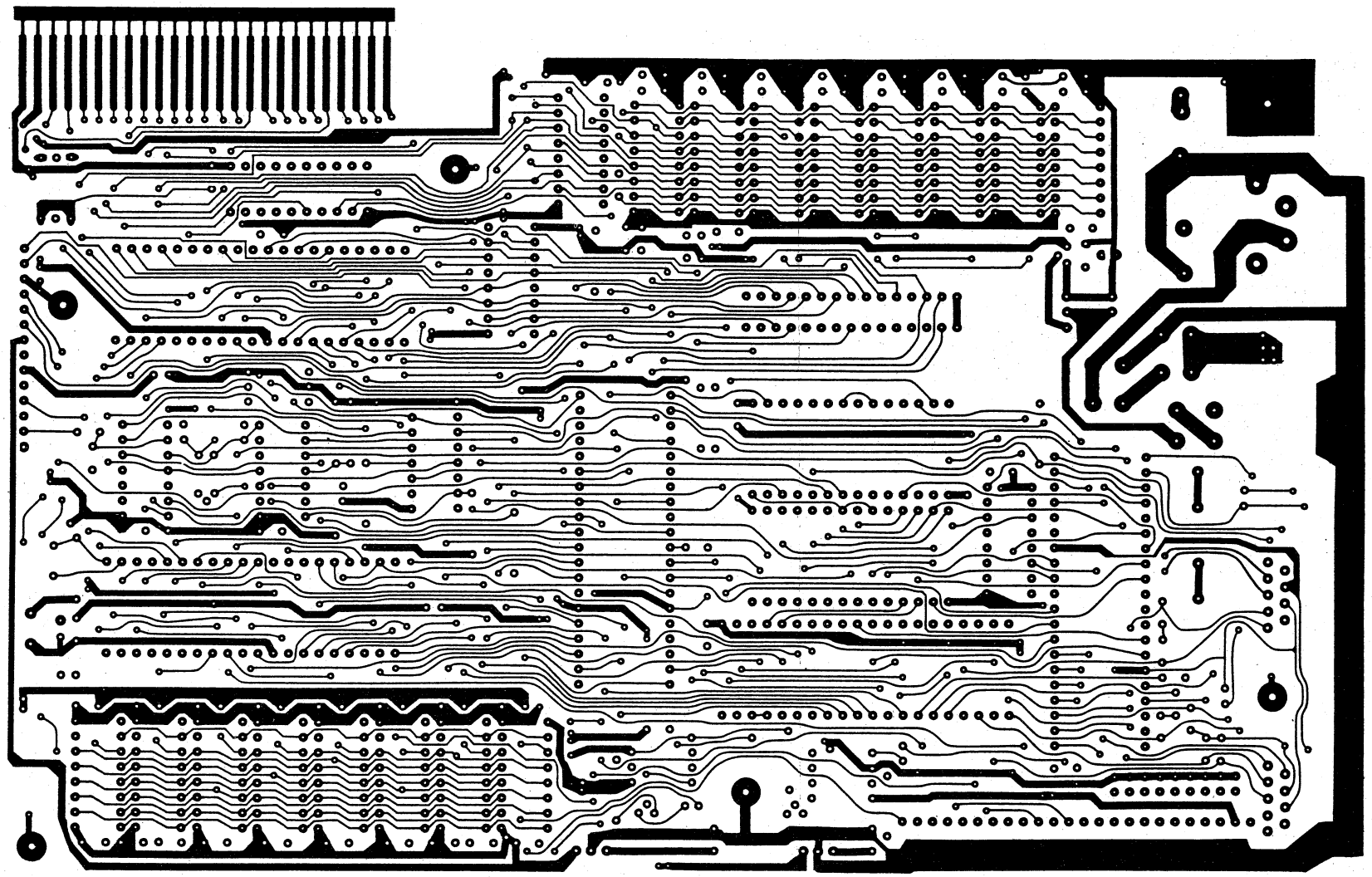
TITLE	PCB LAYOUT, MAIN Bd. - 318/328 NR II	VERIFIED BY	R YU
		DATE	10/5/84

DOCUMENT NO	STM-328-032	VERSION NO	1.1	SHEET OF	1/5
-------------	-------------	------------	-----	----------	-----

7 6 5 4 3 2 1

7 6 5 4 3 2 1

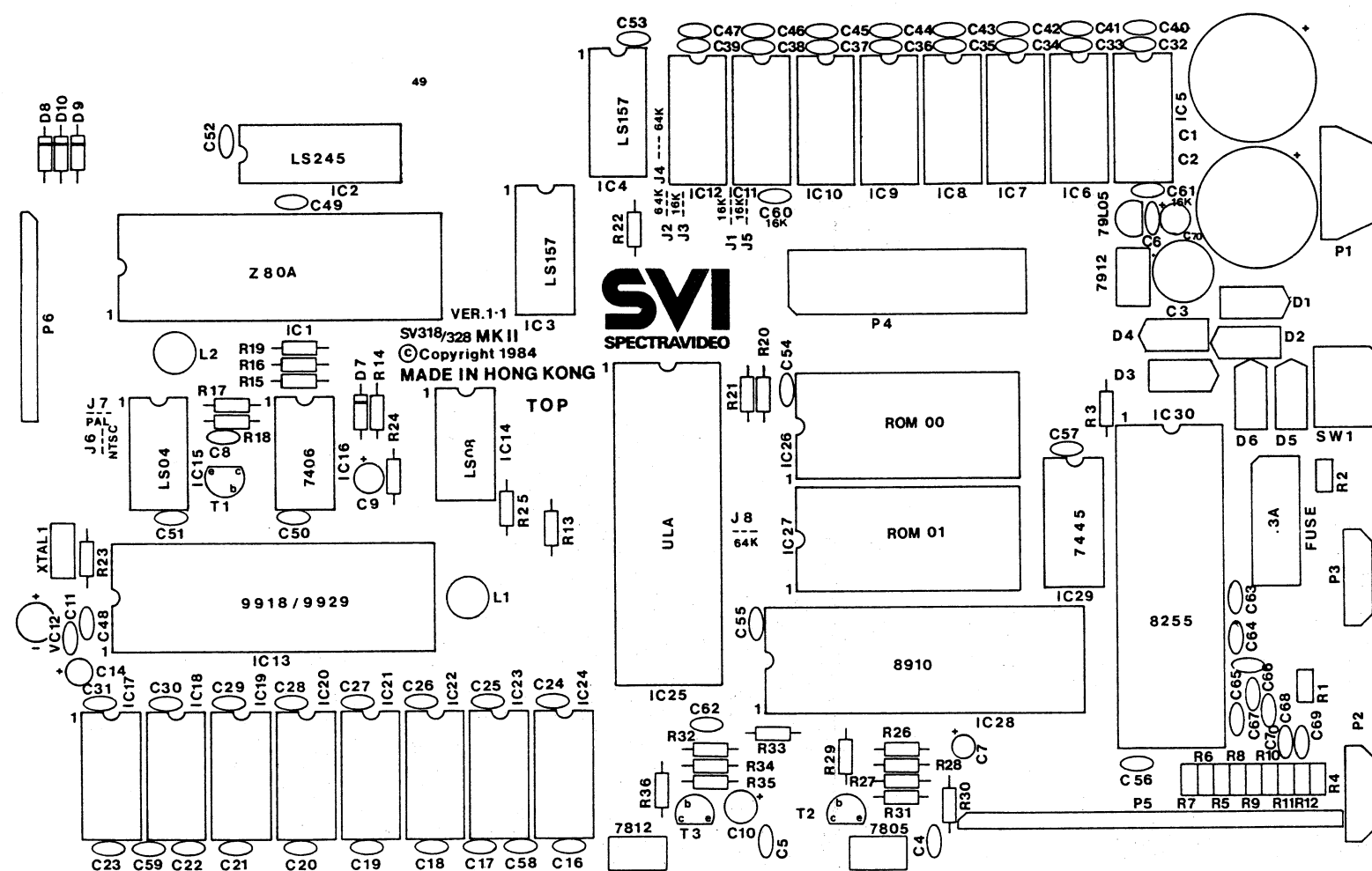
E
D
C
B
A



— COMPONENT SIDE —

SVI SPECTRAVIDEO SPECTRAVIDEO INTERNATIONAL LIMITED	
CONTROLLED ENGINEERING DOCUMENT THIS DOCUMENT CONTAINS CONFIDENTIAL INFORMATION WHICH IS THE EXCLUSIVE PROPERTY OF SPECTRAVIDEO INTERNATIONAL LTD.	
TITLE <i>PCB LAYOUT, MAIN</i> <i>Bd. - 318/328 MK II</i>	VERIFIED BY <i>P YU</i> DATE <i>10/5/84</i>
DOCUMENT NO <i>STM-328-033</i>	VERSION NO <i>1.1</i> SHEET OF <i>2/5</i>

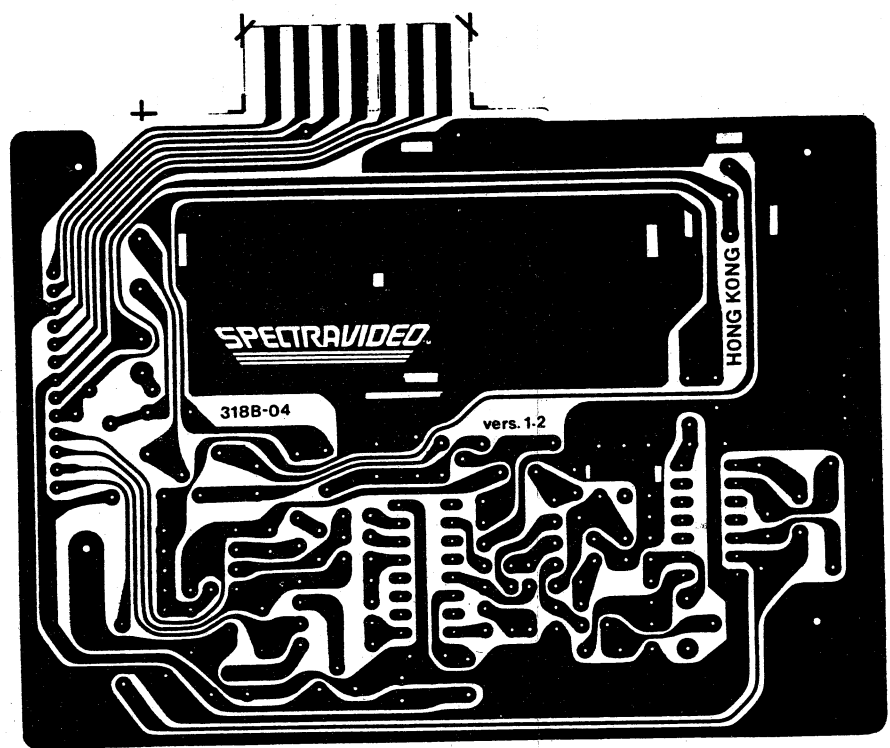
7 6 5 4 3 2 1



SPECTRAVIDEO INTERNATIONAL LIMITED	
CONTROLLED ENGINEERING DOCUMENT THIS DOCUMENT CONTAINS CONFIDENTIAL INFORMATION WHICH IS THE EXCLUSIVE PROPERTY OF SPECTRAVIDEO INTERNATIONAL LTD.	
TITLE <i>COMPONENT LAYOUT, MAIN Bd - 318/328 MK II</i>	VERIFIED BY <i>P. YU</i> DATE <i>10/5/84</i>
DOCUMENT NO <i>STM-328-034</i>	VERSION NO <i>1.1</i> SHEET OF <i>3/5</i>

7 6 5 4 3 2 1

E
D
C
B
A

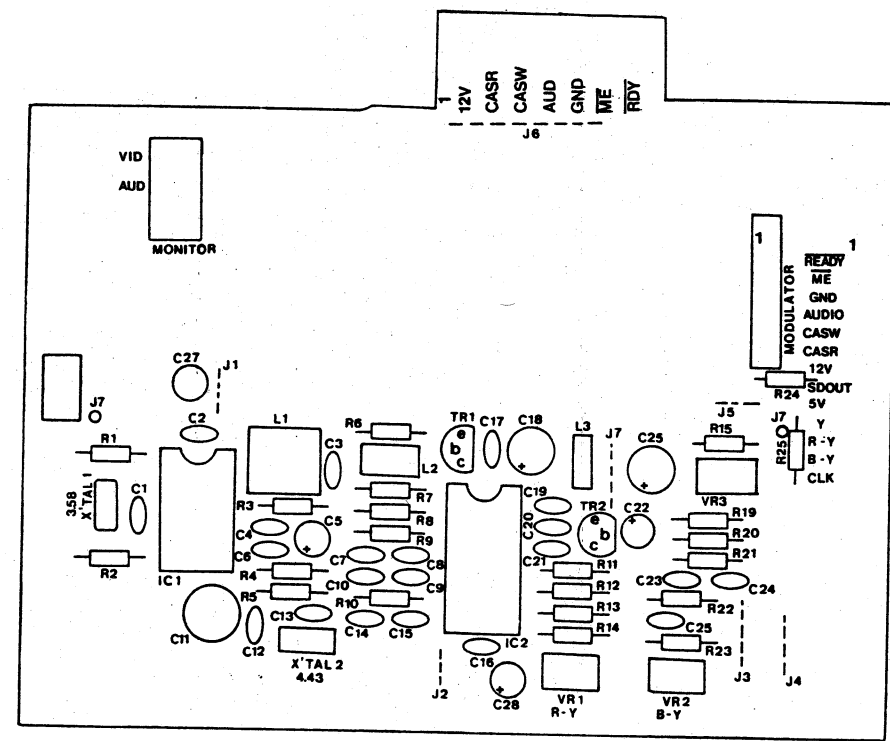


SVI SPECTRAVIDEO INTERNATIONAL LIMITED	
CONTROLLED ENGINEERING DOCUMENT THIS DOCUMENT CONTAINS CONFIDENTIAL INFORMATION WHICH IS THE EXCLUSIVE PROPERTY OF SPECTRAVIDEO INTERNATIONAL LTD.	
TITLE <i>PCB LAYOUT, PAL Bd. — SVI-318/328 MK II</i>	VERIFIED BY <i>P YJ</i> DATE <i>10/5/82</i>
DOCUMENT NO <i>STM-328-035</i>	VERSION NO <i>1.2</i> SHEET <i>4/5</i> OF

7 6 5 4 3 2 1

7 6 5 4 3 2 1

E
D
C
B
A



COMPONENT LAYOUT - PAL BOARD
SVI-318/328 MK II

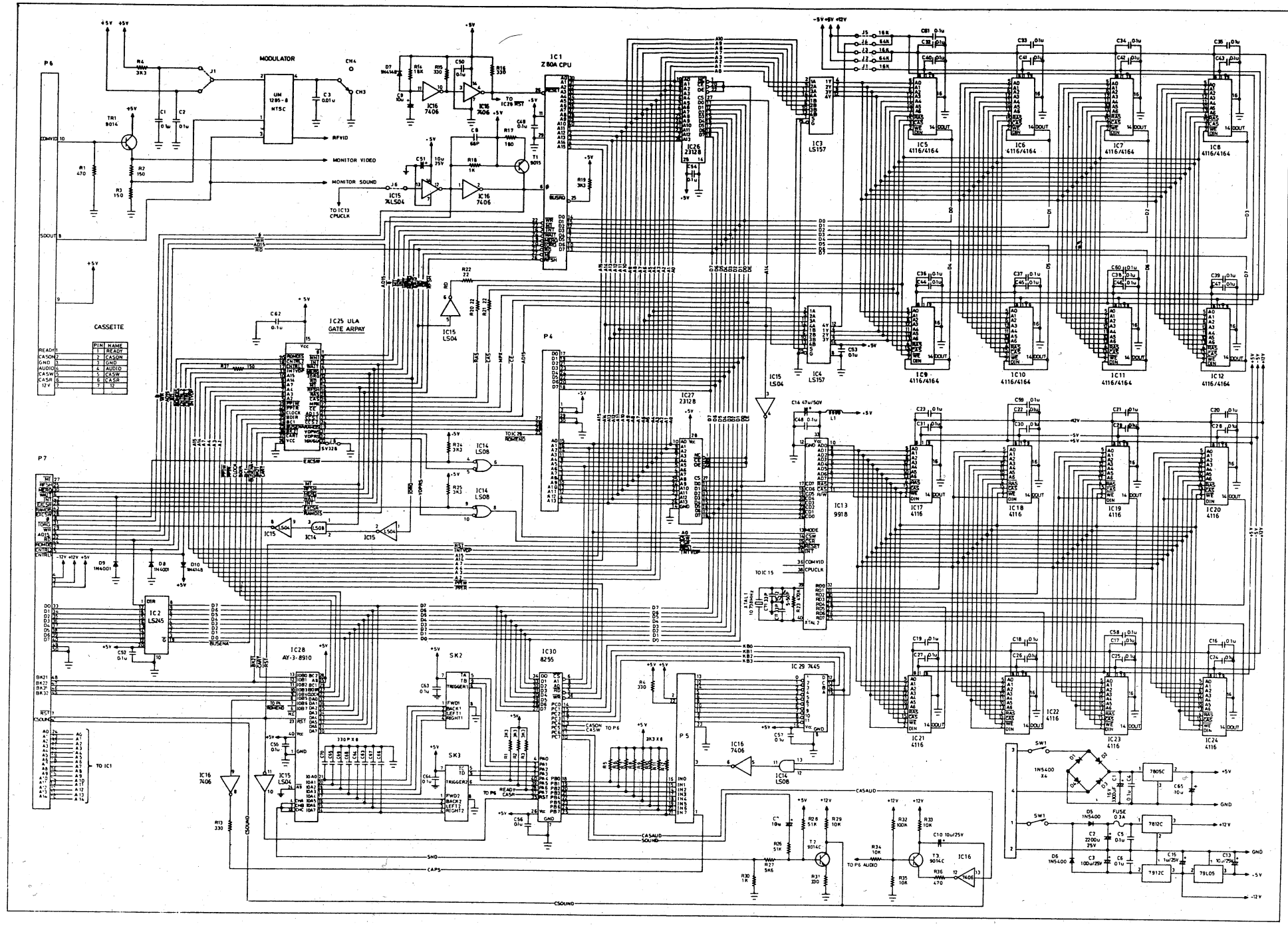
SVI SPECTRAVIDEO INTERNATIONAL LIMITED

CONTROLLED ENGINEERING DOCUMENT
THIS DOCUMENT CONTAINS CONFIDENTIAL INFORMATION WHICH IS THE EXCLUSIVE PROPERTY OF SPECTRAVIDEO INTERNATIONAL LTD.

TITLE <i>COMPONENT LAYOUT, PAL Bd - 318/328 MK II</i>	VERIFIED BY <i>P. YU</i> DATE <i>10/5/1994</i>
---	---

DOCUMENT NO <i>STM-328-036</i>	VERSION NO <i>1.1</i>	SHEET OF <i>5/5</i>
--------------------------------	-----------------------	---------------------

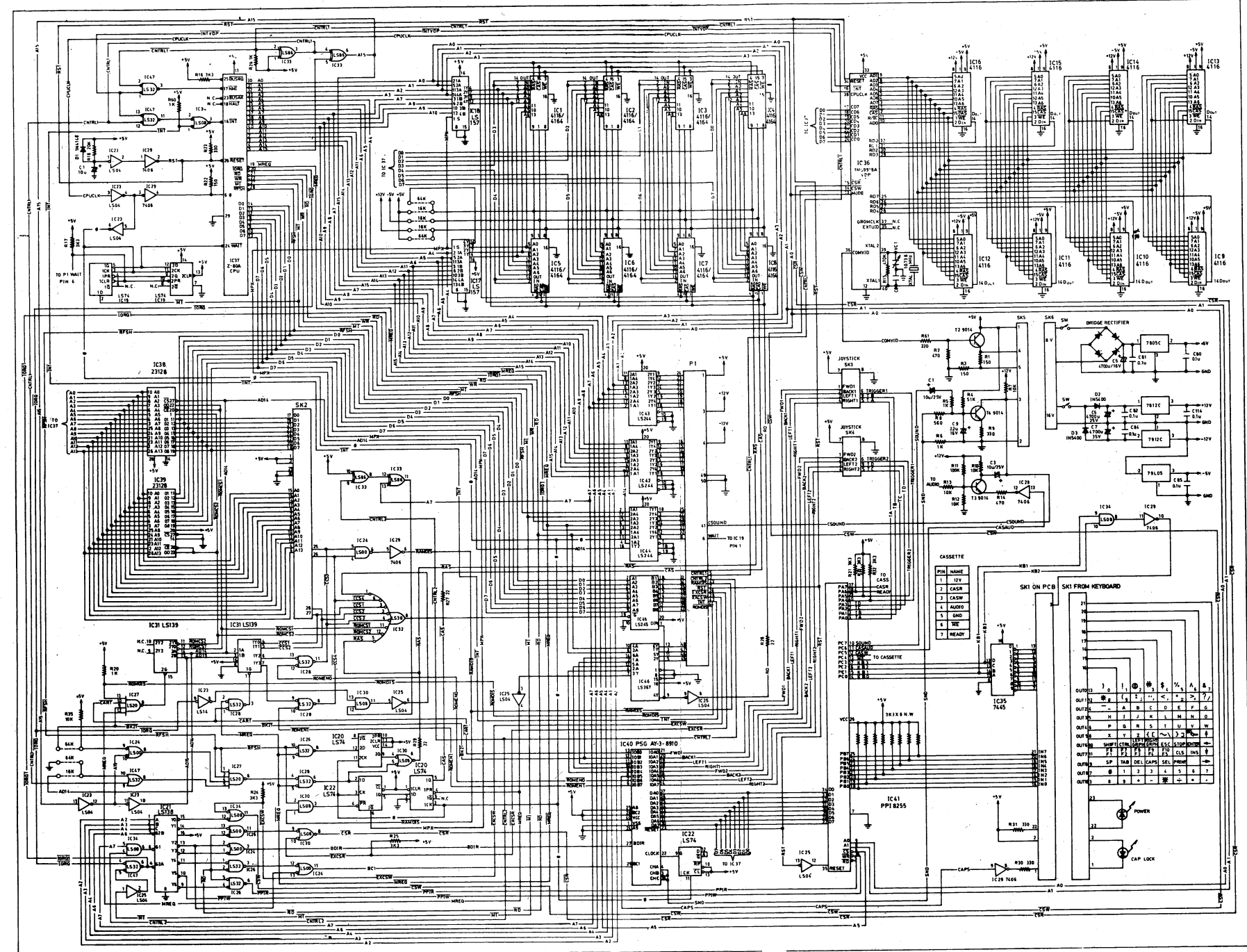
7 6 5 4 3 2 1



CONFIDENTIAL
 THIS DOCUMENT CONTAINS
 CONFIDENTIAL INFORMATION
 WHICH IS THE EXCLUSIVE
 PROPERTY OF SPECTRAVIDEO
 INTERNATIONAL LIMITED

- MAIN PCB BOARD -

CONTROLLED ENGINEERING DOCUMENT THIS DOCUMENT CONTAINS CONFIDENTIAL INFORMATION WHICH IS THE EXCLUSIVE PROPERTY OF SPECTRAVIDEO INTERNATIONAL LTD.	
TITLE CIRCUIT DIAGRAM — SVI 318/328 MK II	VERIFIED BY <u>P.YU</u> DATE <u>10/25/1984</u>
DOCUMENT NO <u>STM-328-037</u>	VERSION NO <u>1.5</u> SHEET OF <u>1</u>



CONFIDENTIAL
 THIS DOCUMENT CONTAINS
 CONFIDENTIAL INFORMATION
 WHICH IS THE EXCLUSIVE
 PROPERTY OF SPECTRAVIDEO
 INTERNATIONAL LIMITED

— MAIN PCB BOARD —

CONTROLLED ENGINEERING DOCUMENT THIS DOCUMENT CONTAINS CONFIDENTIAL INFORMATION WHICH IS THE EXCLUSIVE PROPERTY OF SPECTRAVIDEO INTERNATIONAL LTD.	
TITLE CIRCUIT DIAGRAM— SVI-318/328 MK II	VERIFIED BY <u>P. YU</u> DATE <u>10/25/1984</u>
DOCUMENT NO <u>STM-328-038</u>	VERSION NO <u>1.1</u> SHEET <u>1</u> OF <u>1</u>