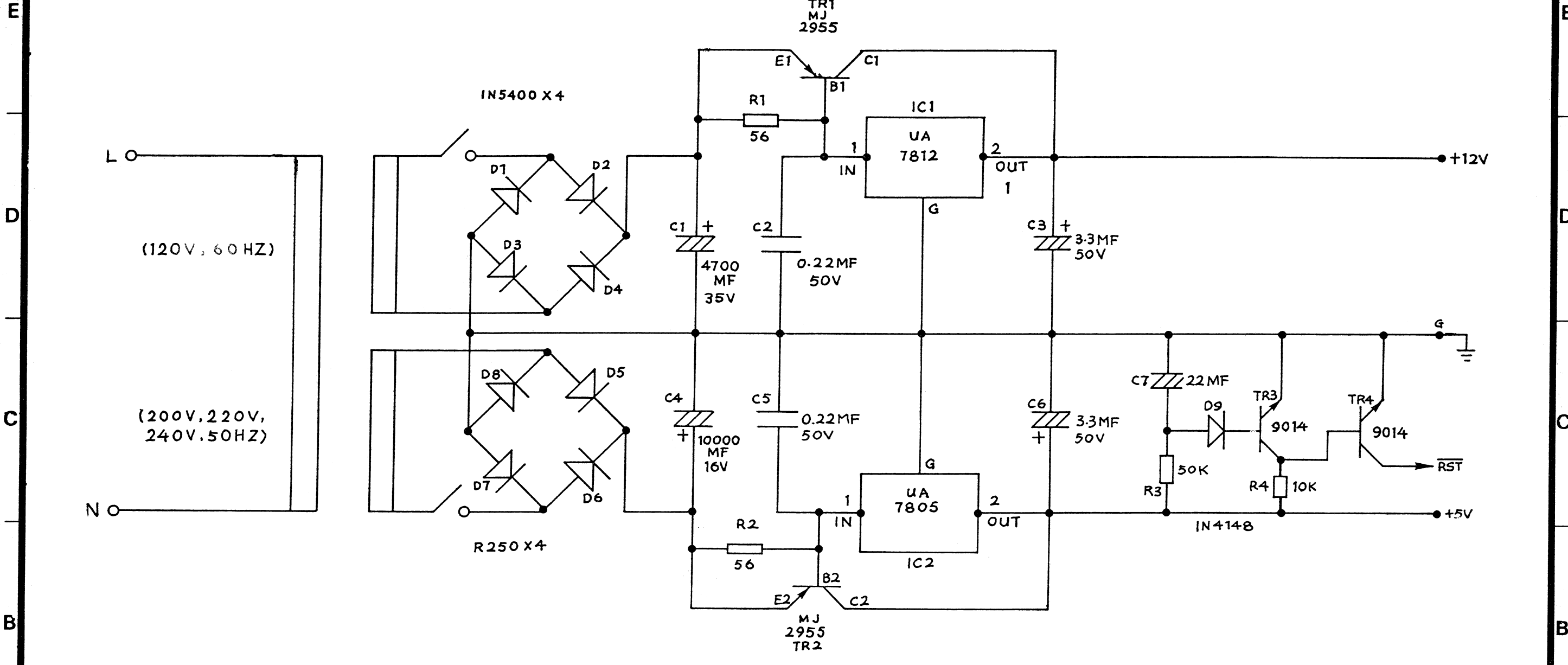


7 6 5 4 3 2 1



CONFIDENTIAL  
 THIS DOCUMENT CONTAINS  
 CONFIDENTIAL INFORMATION  
 WHICH IS THE EXCLUSIVE  
 PROPERTY OF SPECTRAVIDEO  
 INTERNATIONAL LIMITED

**SVI SPECTRAVIDEO INTERNATIONAL LIMITED**

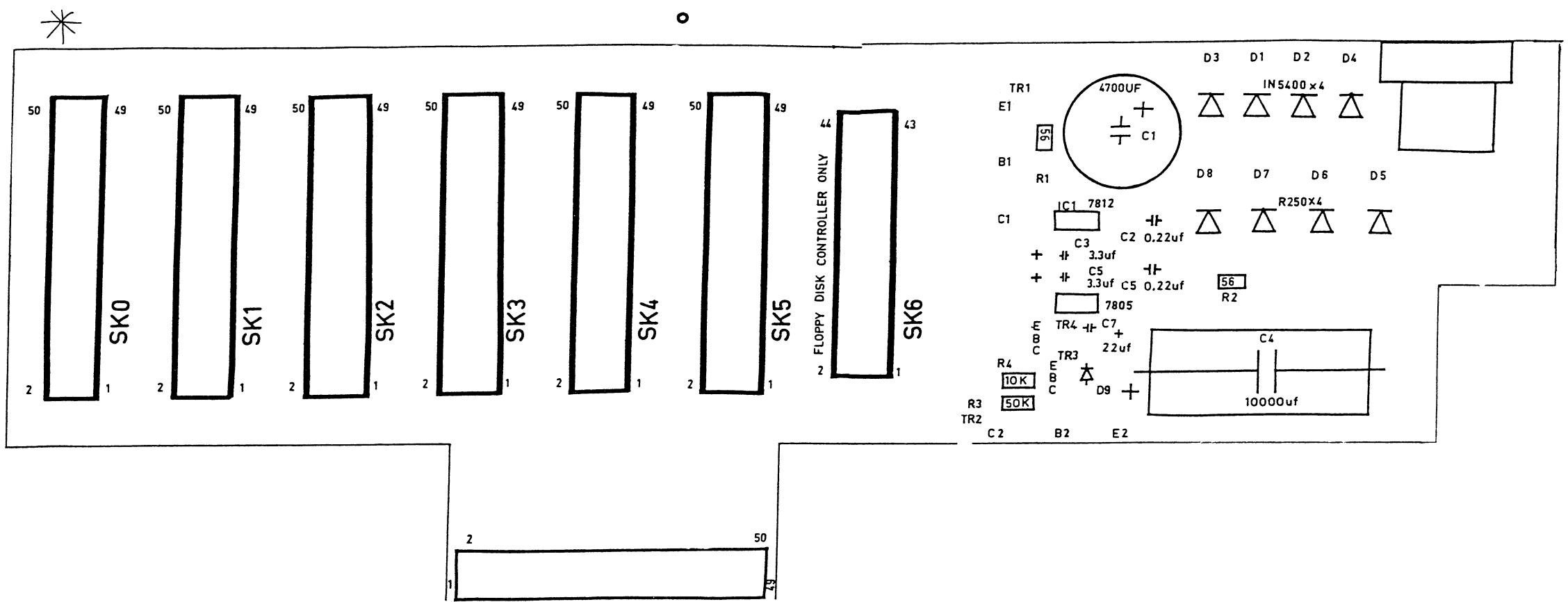
**CONTROLLED ENGINEERING DOCUMENT**  
 THIS DOCUMENT CONTAINS CONFIDENTIAL INFORMATION WHICH IS THE EXCLUSIVE PROPERTY OF SPECTRAVIDEO INTERNATIONAL LTD.

TITLE SVI - 601 EXPANDER	VERIFIED BY <u>VICKY YEUNG V.Y.</u> DATE <u>MARCH, 1984</u>
DOCUMENT NO <u>STM-001-B</u>	VERSION NO <u>1.0</u> SHEET OF <u>1</u>

7 6 5 4 3 2 1

7 6 5 4 3 2 1

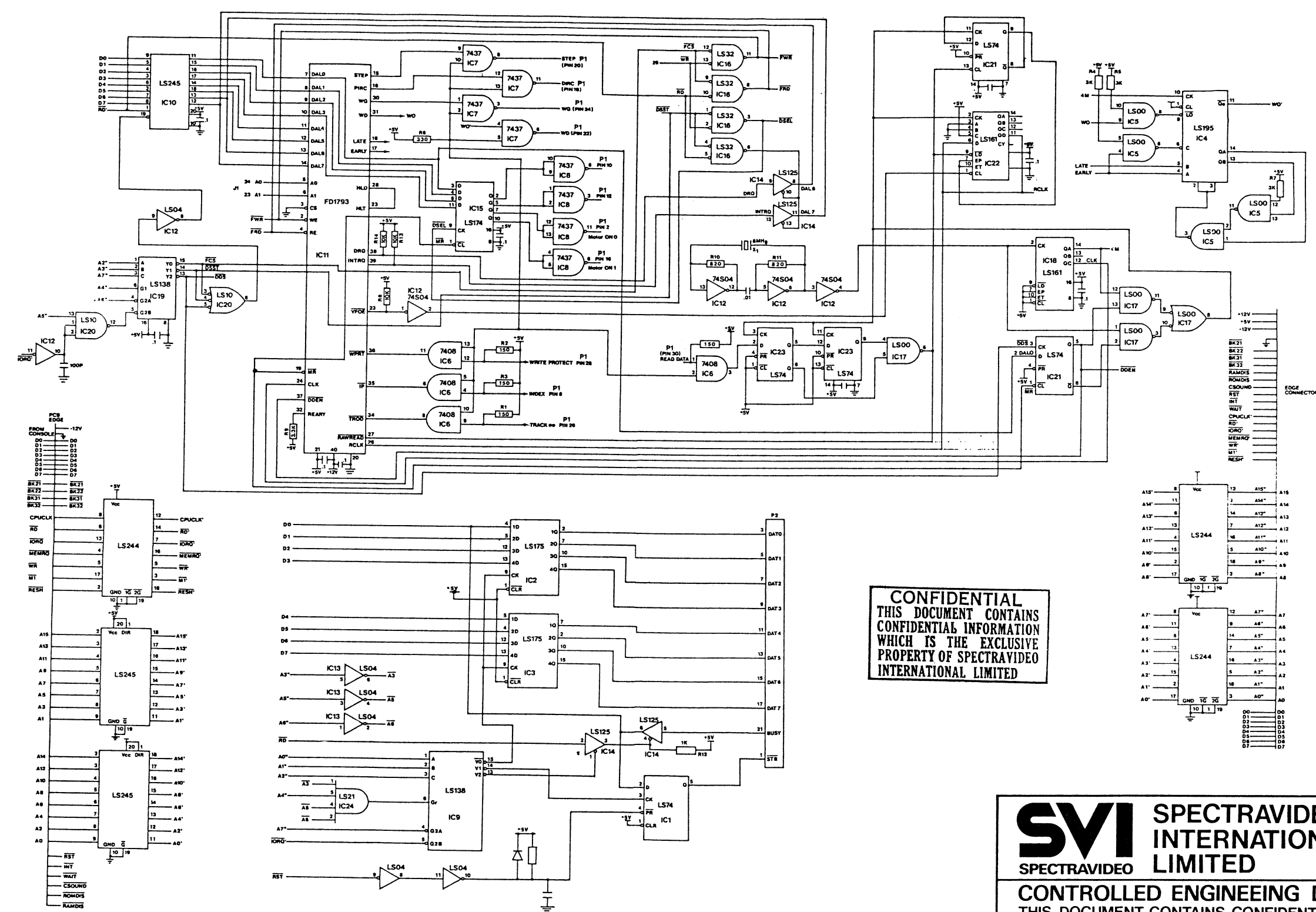
E  
D  
C  
B  
A



**CONFIDENTIAL**  
 THIS DOCUMENT CONTAINS  
 CONFIDENTIAL INFORMATION  
 WHICH IS THE EXCLUSIVE  
 PROPERTY OF SPECTRAVIDEO  
 INTERNATIONAL LIMITED

<b>SVI SPECTRAVIDEO INTERNATIONAL LIMITED</b>	
<b>CONTROLLED ENGINEERING DOCUMENT</b>	
THIS DOCUMENT CONTAINS CONFIDENTIAL INFORMATION WHICH IS THE EXCLUSIVE PROPERTY OF SPECTRAVIDEO INTERNATIONAL LTD.	
TITLE SVI-601 PCB	VERIFIED BY <u>VICKY YEUNG V.Y.</u> DATE <u>MARCH, 1984</u>
DOCUMENT NO STM-002-B	VERSION NO <u>1.0</u> SHEET OF <u>2</u>

7 6 5 4 3 2 1

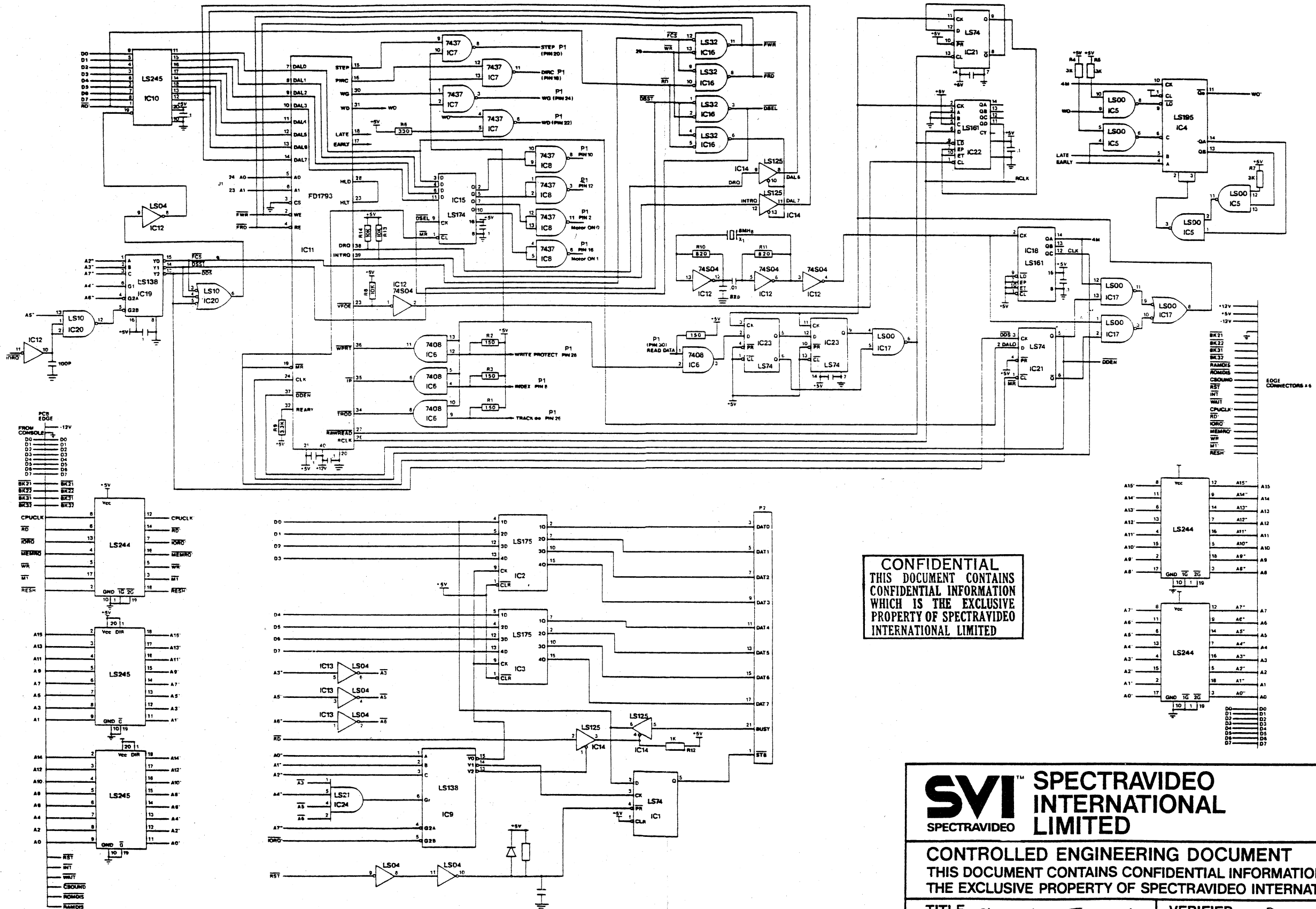


**CONFIDENTIAL**  
 THIS DOCUMENT CONTAINS  
 CONFIDENTIAL INFORMATION  
 WHICH IS THE EXCLUSIVE  
 PROPERTY OF SPECTRAVIDEO  
 INTERNATIONAL LIMITED

**SVI SPECTRAVIDEO INTERNATIONAL LIMITED**  
 SPECTRAVIDEO LIMITED

**CONTROLLED ENGINEERING DOCUMENT**  
 THIS DOCUMENT CONTAINS CONFIDENTIAL INFORMATION WHICH IS THE EXCLUSIVE PROPERTY OF SPECTRAVIDEO INTERNATIONAL LTD.

TITLE SVI - 605 EXPANDER	VERIFIED BY <u>VICKY YEUNG V.Y.</u> DATE <u>MARCH, 1984</u>
DOCUMENT NO <u>STM-003-B</u>	VERSION NO <u>1.0</u> SHEET OF <u>3</u>



CONFIDENTIAL  
 THIS DOCUMENT CONTAINS  
 CONFIDENTIAL INFORMATION  
 WHICH IS THE EXCLUSIVE  
 PROPERTY OF SPECTRAVIDEO  
 INTERNATIONAL LIMITED

**SVI**™ SPECTRAVIDEO  
 INTERNATIONAL  
 LIMITED

CONTROLLED ENGINEERING DOCUMENT  
 THIS DOCUMENT CONTAINS CONFIDENTIAL INFORMATION WHICH IS  
 THE EXCLUSIVE PROPERTY OF SPECTRAVIDEO INTERNATIONAL LTD.

TITLE	SVI 605 Expander	VERIFIED BY	PETER YU
		DATE	10-9-84
DOCUMENT NO	STM-605-001	VERSION NO	1.1
		SHEET NO	1 of 9

7 6 5 4 3 2 1

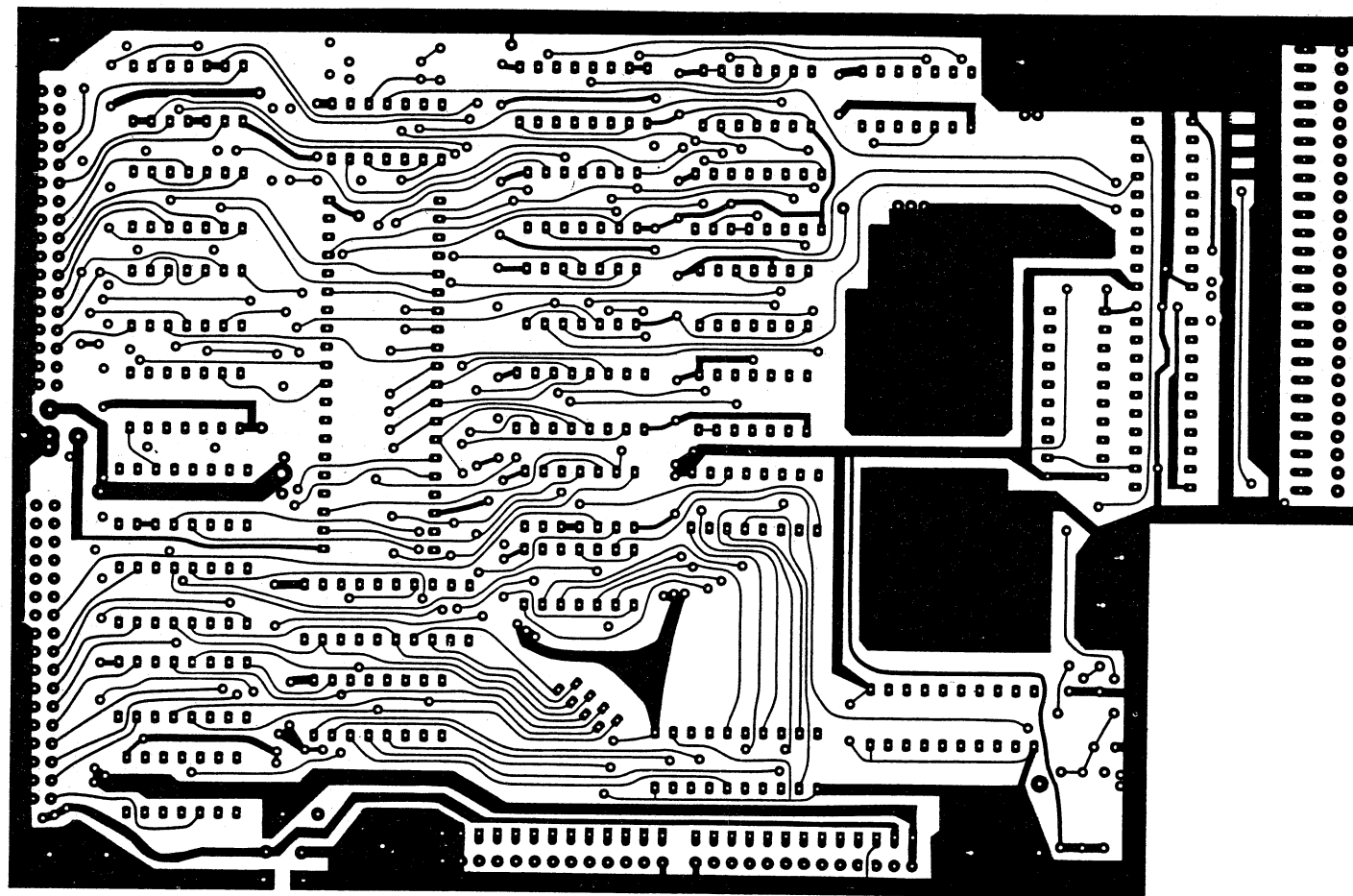
E

D

C

B

A



SVI-605 Expander component side PCB layout

CONFIDENTIAL  
 THIS DOCUMENT CONTAINS  
 CONFIDENTIAL INFORMATION  
 WHICH IS THE EXCLUSIVE  
 PROPERTY OF SPECTRAVIDEO  
 INTERNATIONAL LIMITED

<b>SVI™ SPECTRAVIDEO INTERNATIONAL LIMITED</b> <small>SPECTRAVIDEO</small>	
<b>CONTROLLED ENGINEERING DOCUMENT</b> THIS DOCUMENT CONTAINS CONFIDENTIAL INFORMATION WHICH IS THE EXCLUSIVE PROPERTY OF SPECTRAVIDEO INTERNATIONAL LTD.	
TITLE SVI-605 Expander PCB	VERIFIED BY <u>Peter Yu</u> DATE <u>10-9-84</u>
DOCUMENT NO STM-605-co.2	VERSION NO 1.1 SHEET NO 2 of 9

7 6 5 4 3 2 1

7 6 5 4 3 2 1

E

E

D

D

C

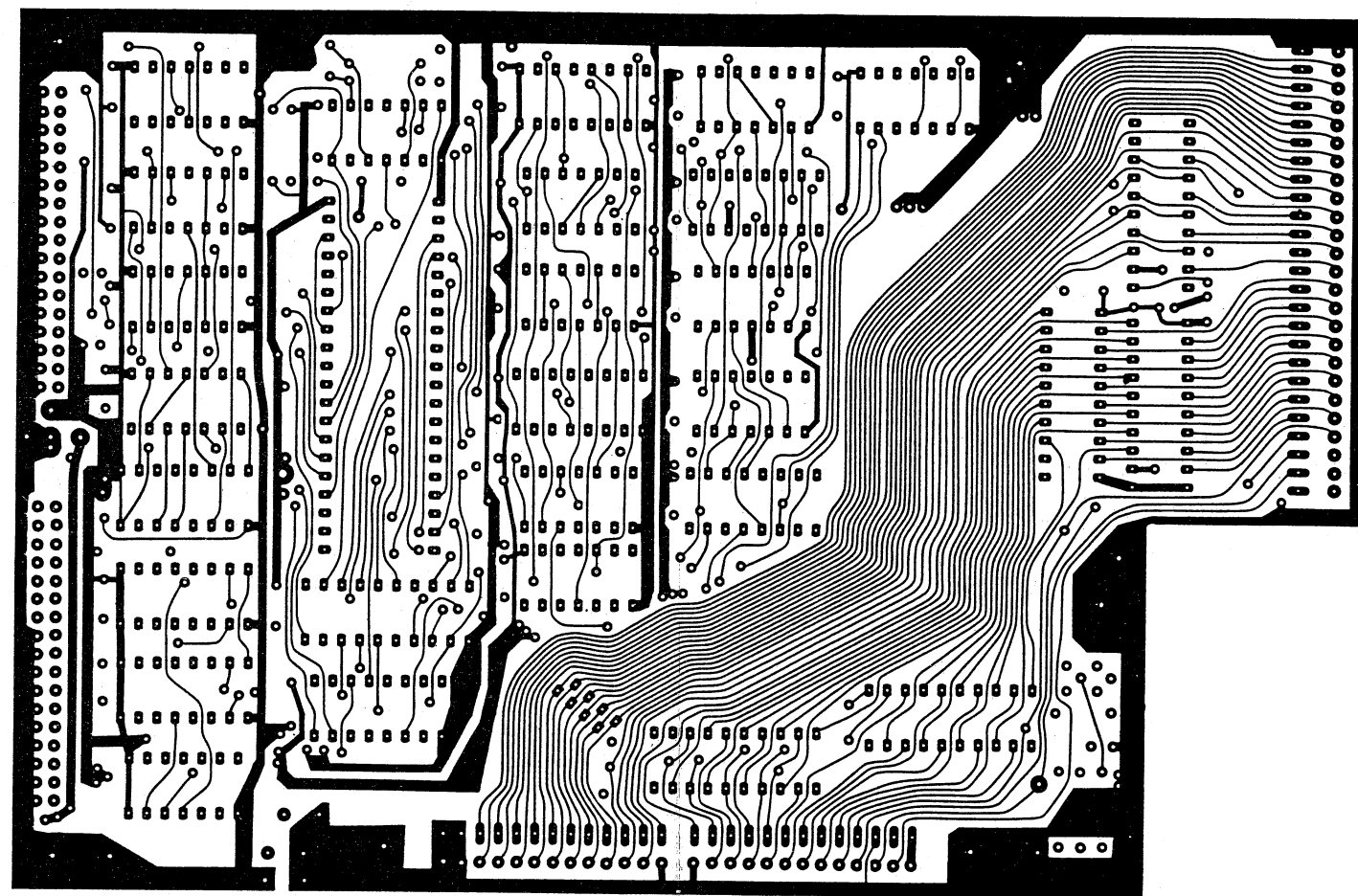
C

B

B

A

A



P.C.B layout, SOLDER SIDE, SVI-605 Expander

CONFIDENTIAL  
 THIS DOCUMENT CONTAINS  
 CONFIDENTIAL INFORMATION  
 WHICH IS THE EXCLUSIVE  
 PROPERTY OF SPECTRAVIDEO  
 INTERNATIONAL LIMITED

<b>SVI™ SPECTRAVIDEO INTERNATIONAL LIMITED</b> <small>SPECTRAVIDEO</small>	
<b>CONTROLLED ENGINEERING DOCUMENT</b> THIS DOCUMENT CONTAINS CONFIDENTIAL INFORMATION WHICH IS THE EXCLUSIVE PROPERTY OF SPECTRAVIDEO INTERNATIONAL LTD.	
TITLE SVI-605 Expander P.C.B.	VERIFIED BY <u>PETER KU</u> DATE <u>10-9-84</u>
DOCUMENT NO STM-605-003	VERSION NO 1.1 SHEET NO 3 of 9

7 6 5 4 3 2 1

7 6 5 4 3 2 1

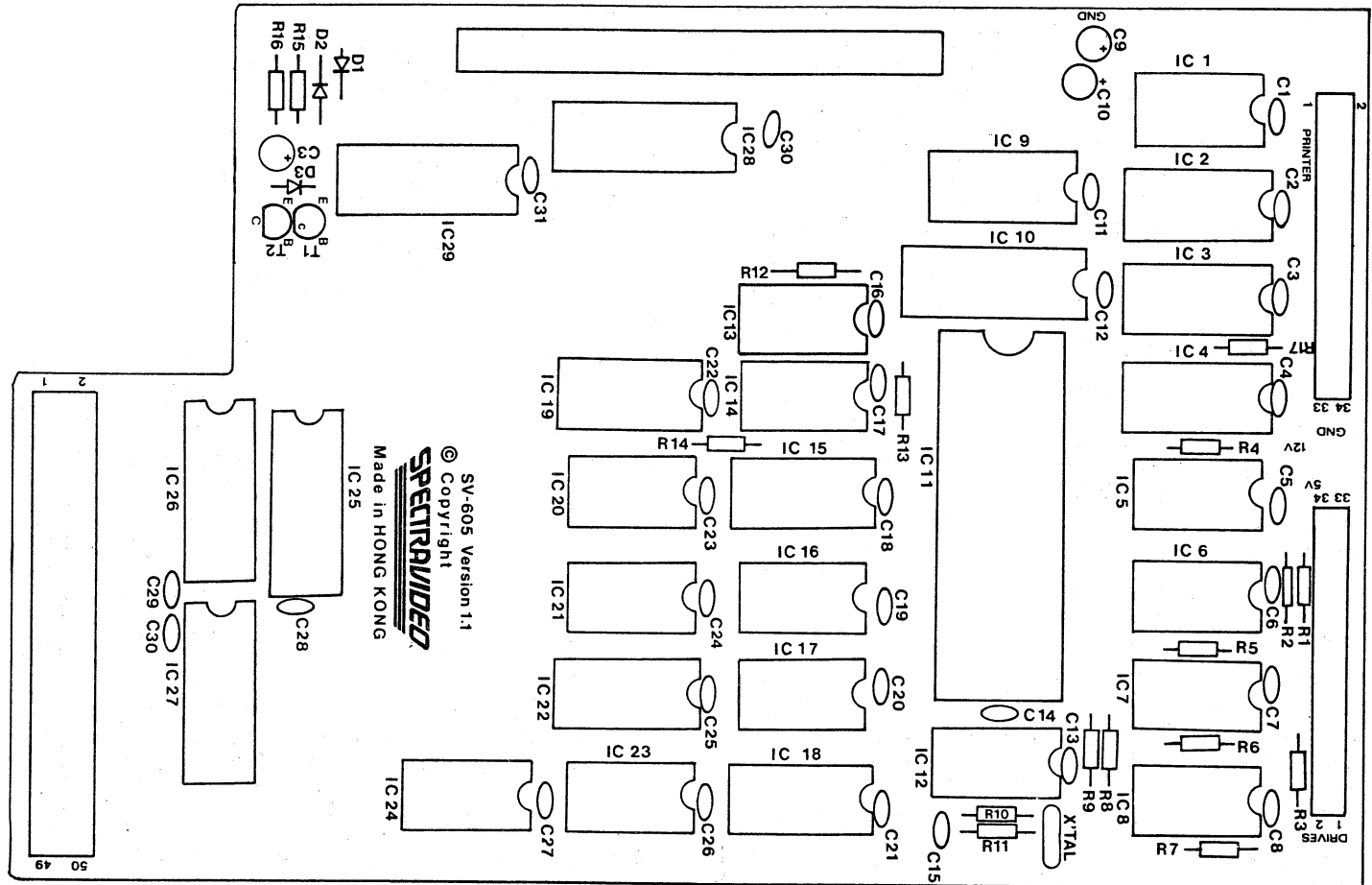
E

D

C

B

A



COMPONENT SIDE SVI-605  
(MAIN PCB)

CONFIDENTIAL  
THIS DOCUMENT CONTAINS  
CONFIDENTIAL INFORMATION  
WHICH IS THE EXCLUSIVE  
PROPERTY OF SPECTRAVIDEO  
INTERNATIONAL LIMITED

<b>CONTROLLED ENGINEERING DOCUMENT</b> THIS DOCUMENT CONTAINS CONFIDENTIAL INFORMATION WHICH IS THE EXCLUSIVE PROPERTY OF SPECTRAVIDEO INTERNATIONAL LTD.	
TITLE SVI-605 Expander	VERIFIED BY PETER YU DATE 10-9-84
DOCUMENT NO STM-605-cc4	VERSION NO 1.1 SHEET NO 4 of 9

7 6 5 4 3 2 1

7

6

5

4

3

2

1

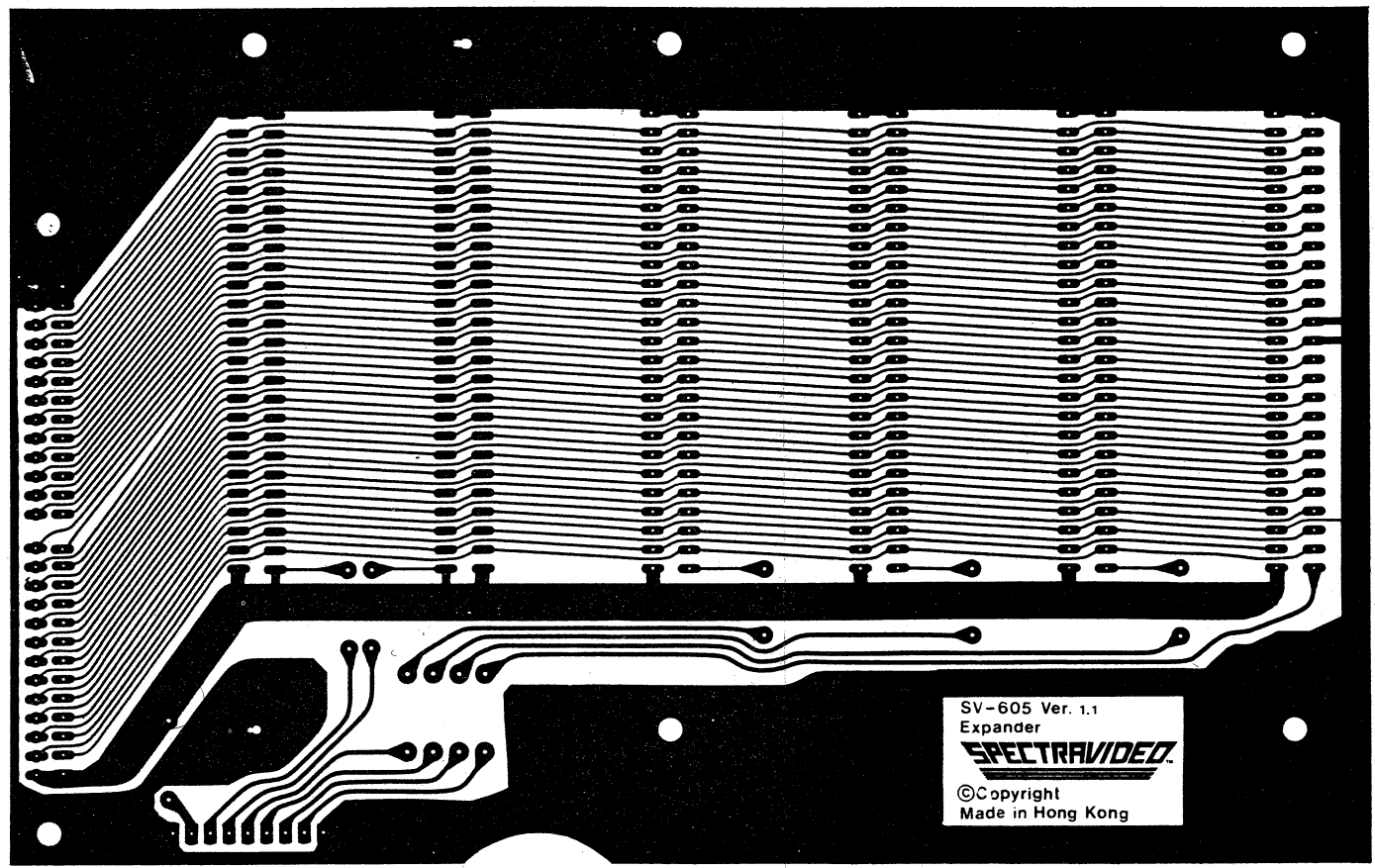
E

D

C

B

A



PCB layout expansion slot

CONFIDENTIAL  
 THIS DOCUMENT CONTAINS  
 CONFIDENTIAL INFORMATION  
 WHICH IS THE EXCLUSIVE  
 PROPERTY OF SPECTRAVIDEO  
 INTERNATIONAL LIMITED

<b>SVI™ SPECTRAVIDEO INTERNATIONAL LIMITED</b>	
<b>CONTROLLED ENGINEERING DOCUMENT</b> THIS DOCUMENT CONTAINS CONFIDENTIAL INFORMATION WHICH IS THE EXCLUSIVE PROPERTY OF SPECTRAVIDEO INTERNATIONAL LTD.	
TITLE <i>SVI-605 Expander</i> <i>SLOT PCB</i>	VERIFIED BY <i>Peter Yu</i> DATE <i>10/9/84</i>
DOCUMENT NO <i>STM-605-co 5</i>	VERSION NO <i>1.1</i> SHEET NO <i>5 of 9</i>

7

6

5

4

3

2

1

E

D

C

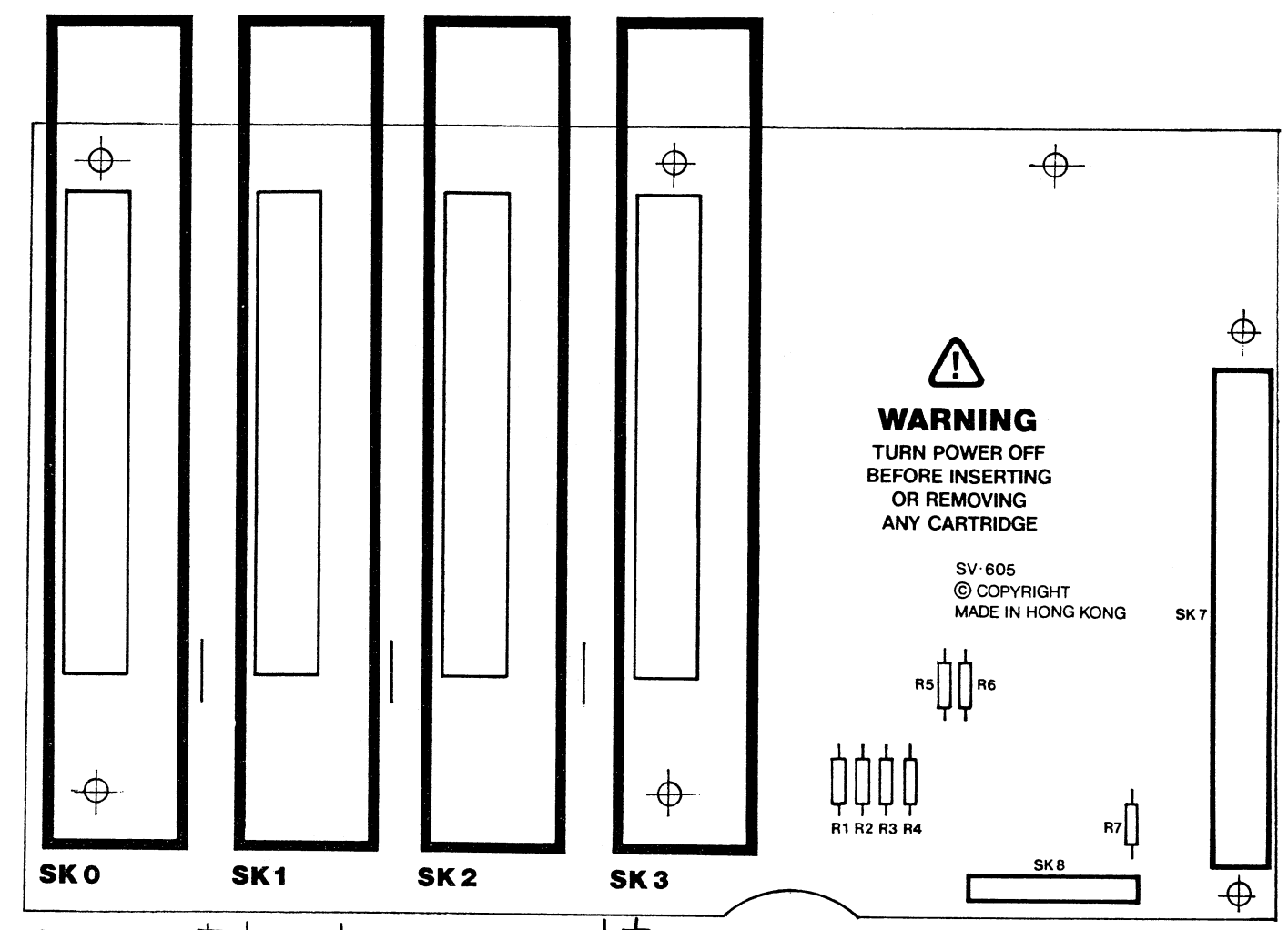
B

A



7 6 5 4 3 2 1

E  
D  
C  
B  
A



Component layout expansion slot

CONFIDENTIAL  
 THIS DOCUMENT CONTAINS  
 CONFIDENTIAL INFORMATION  
 WHICH IS THE EXCLUSIVE  
 PROPERTY OF SPECTRAVIDEO  
 INTERNATIONAL LIMITED

<b>SVI™ SPECTRAVIDEO INTERNATIONAL LIMITED</b>	
CONTROLLED ENGINEERING DOCUMENT THIS DOCUMENT CONTAINS CONFIDENTIAL INFORMATION WHICH IS THE EXCLUSIVE PROPERTY OF SPECTRAVIDEO INTERNATIONAL LTD.	
TITLE SVI-605 Expander SLOT PCB	VERIFIED BY PETER YU DATE 10-9-84
DOCUMENT NO STM-605-006	VERSION NO 1.1 SHEET NO 6 of 9

7 6 5 4 3 2 1

7 6 5 4 3 2 1

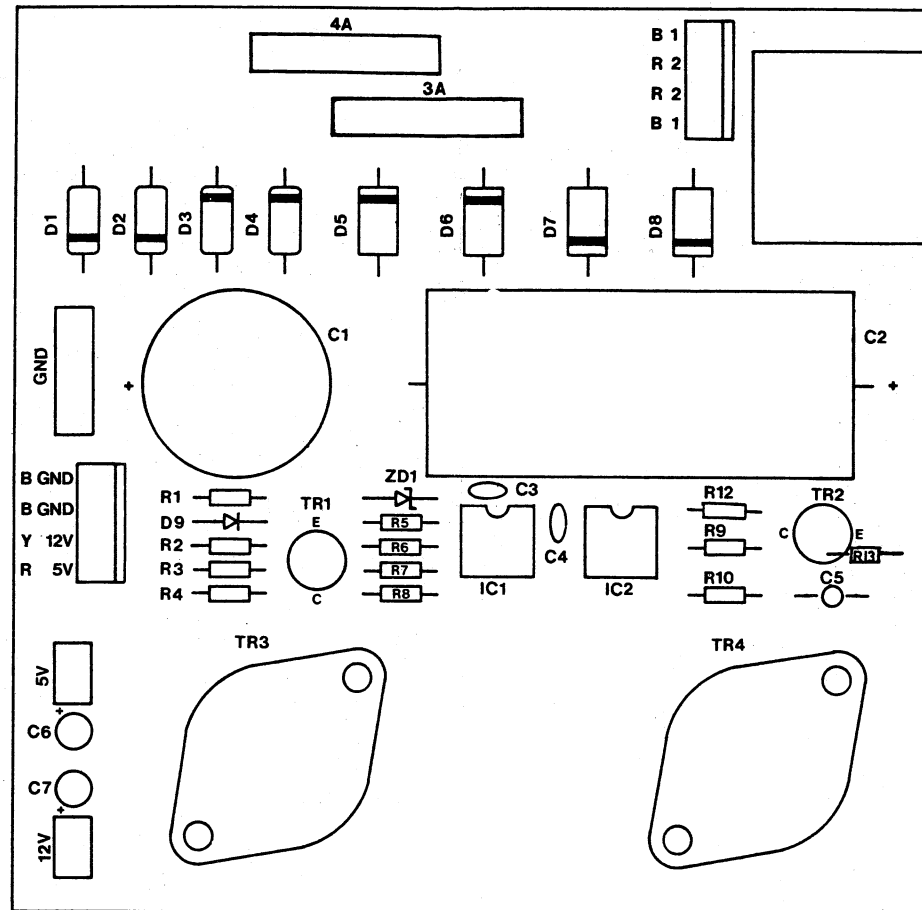
E

D

C

B

A



Component layout Power Board SVI-605 Expander.

CONFIDENTIAL  
 THIS DOCUMENT CONTAINS  
 CONFIDENTIAL INFORMATION  
 WHICH IS THE EXCLUSIVE  
 PROPERTY OF SPECTRAVIDEO  
 INTERNATIONAL LIMITED

**SVI**™ SPECTRAVIDEO  
 INTERNATIONAL  
 SPECTRAVIDEO LIMITED

CONTROLLED ENGINEERING DOCUMENT  
 THIS DOCUMENT CONTAINS CONFIDENTIAL INFORMATION WHICH IS  
 THE EXCLUSIVE PROPERTY OF SPECTRAVIDEO INTERNATIONAL LTD.

TITLE SVI-605 Expander  
 Power board.

VERIFIED BY PETER Yu  
 DATE 10-9-84

DOCUMENT NO STM-605-007

VERSION NO 1.3 SHEET NO 7 of 9

7 6 5 4 3 2 1

7

6

5

4

3

2

1

E

D

C

B

A



SOLDER SIDE SVI-605 Expander. Power Board.

CONFIDENTIAL  
 THIS DOCUMENT CONTAINS  
 CONFIDENTIAL INFORMATION  
 WHICH IS THE EXCLUSIVE  
 PROPERTY OF SPECTRAVIDEO  
 INTERNATIONAL LIMITED

<b>SVI™ SPECTRAVIDEO INTERNATIONAL LIMITED</b> <small>SPECTRAVIDEO</small>		
<b>CONTROLLED ENGINEERING DOCUMENT</b> THIS DOCUMENT CONTAINS CONFIDENTIAL INFORMATION WHICH IS THE EXCLUSIVE PROPERTY OF SPECTRAVIDEO INTERNATIONAL LTD.		
TITLE <i>SVI-605 Expander Power Board.</i>	VERIFIED BY <i>PETER YU</i> DATE <i>10-9-84</i>	
DOCUMENT NO <i>STM-605-008</i>	VERSION NO <i>13</i>	SHEET NO <i>8 of 9</i>

7

6

5

4

3

2

1

E

D

C

B

A

7 6 5 4 3 2 1

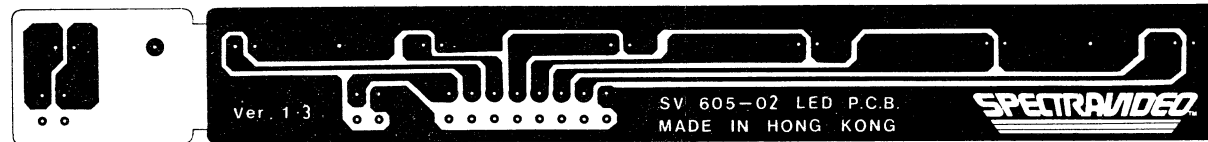
E

D

C

B

A



PC B layout, LED, SVI-605

CONFIDENTIAL  
 THIS DOCUMENT CONTAINS  
 CONFIDENTIAL INFORMATION  
 WHICH IS THE EXCLUSIVE  
 PROPERTY OF SPECTRAVIDEO  
 INTERNATIONAL LIMITED

<b>SVI</b> ™ SPECTRAVIDEO SPECTRAVIDEO INTERNATIONAL LIMITED	
CONTROLLED ENGINEERING DOCUMENT THIS DOCUMENT CONTAINS CONFIDENTIAL INFORMATION WHICH IS THE EXCLUSIVE PROPERTY OF SPECTRAVIDEO INTERNATIONAL LTD.	
TITLE SVI-605 Expander PCB.	VERIFIED BY <u>PETER Yu</u> DATE <u>10-9-84</u>
DOCUMENT NO <u>STM-60509</u>	VERSION NO 1.3 SHEET NO 9 of 9

7 6 5 4 3 2 1

E

D

C

B

A

