

CONFIDENTIAL
 THIS DOCUMENT CONTAINS
 CONFIDENTIAL INFORMATION
 WHICH IS THE EXCLUSIVE
 PROPERTY OF SPECTRAVIDEO
 INTERNATIONAL LIMITED

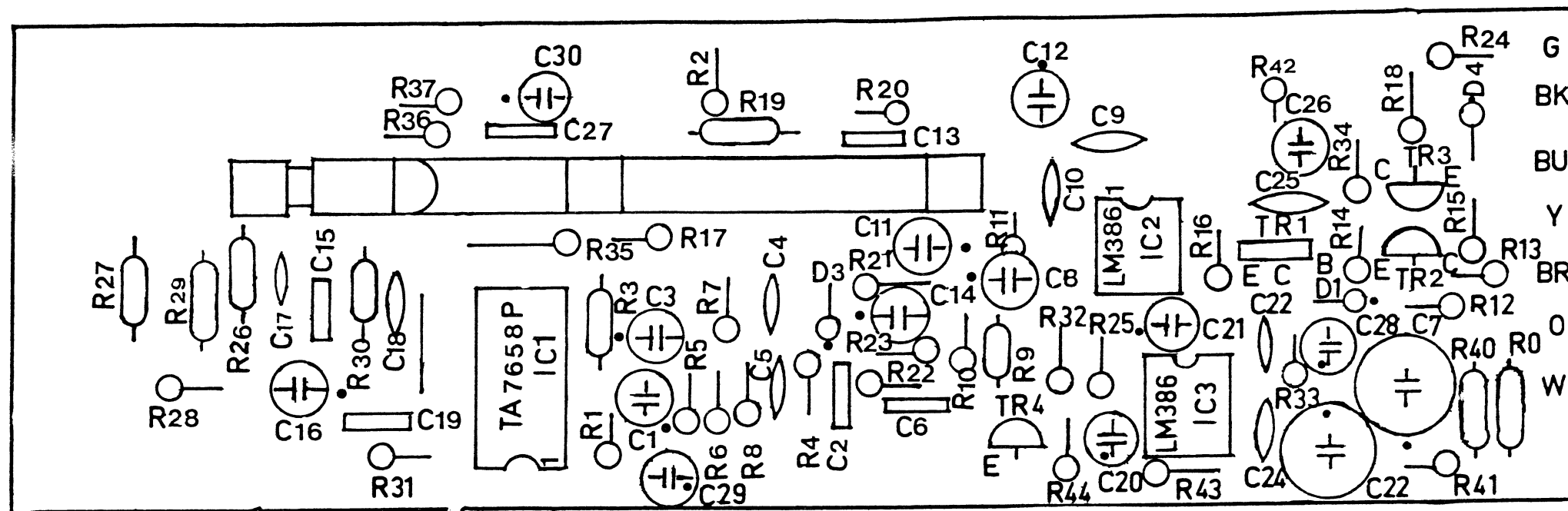
SVI SPECTRAVIDEO INTERNATIONAL LIMITED

CONTROLLED ENGINEERING DOCUMENT
 THIS DOCUMENT CONTAINS CONFIDENTIAL INFORMATION WHICH IS THE EXCLUSIVE PROPERTY OF SPECTRAVIDEO INTERNATIONAL LTD.

TITLE SVI - 703 DATA CASSETTE	VERIFIED BY <u>VICKY YEUNG V.Y.</u> DATE <u>MARCH 1984</u>
DOCUMENT NO SEM-001-E	VERSION NO 1.0 SHEET OF 1

7 6 5 4 3 2 1

E
D
C
B
A



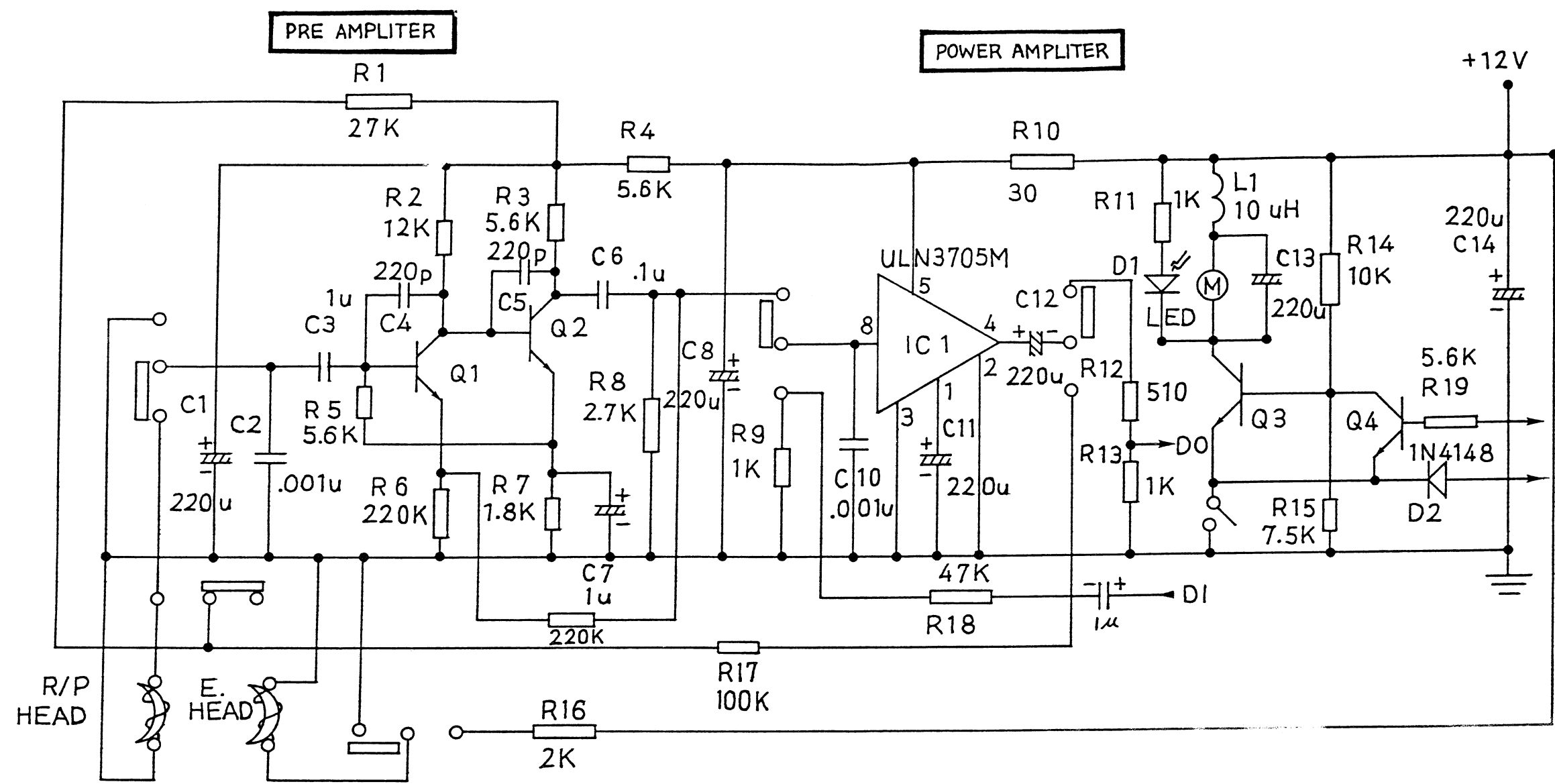
CONFIDENTIAL
 THIS DOCUMENT CONTAINS
 CONFIDENTIAL INFORMATION
 WHICH IS THE EXCLUSIVE
 PROPERTY OF SPECTRAVIDEO
 INTERNATIONAL LIMITED

SVI SPECTRAVIDEO INTERNATIONAL LIMITED	
CONTROLLED ENGINEERING DOCUMENT	
THIS DOCUMENT CONTAINS CONFIDENTIAL INFORMATION WHICH IS THE EXCLUSIVE PROPERTY OF SPECTRAVIDEO INTERNATIONAL LTD.	
TITLE SVI-903 PCB	VERIFIED BY <u>VICKY YEUNG V.Y.</u> DATE <u>MARCH 1984</u>
DOCUMENT NO STM-002-E	VERSION NO 1.0 SHEET OF 2

7 6 5 4 3 2 1

7 6 5 4 3 2 1

E
D
C
B
A



Q1,2,4 : 9014C
Q3 : 2SC1162

CONFIDENTIAL
THIS DOCUMENT CONTAINS
CONFIDENTIAL INFORMATION
WHICH IS THE EXCLUSIVE
PROPERTY OF SPECTRAVIDEO
INTERNATIONAL LIMITED

SVI SPECTRAVIDEO INTERNATIONAL LIMITED	
CONTROLLED ENGINEERING DOCUMENT	
THIS DOCUMENT CONTAINS CONFIDENTIAL INFORMATION WHICH IS THE EXCLUSIVE PROPERTY OF SPECTRAVIDEO INTERNATIONAL LTD.	
TITLE SVI - 904 MONO CASSETTE	VERIFIED BY <u>VICKY YEUNG V.Y.</u> DATE <u>MARCH 1984</u>
DOCUMENT NO STM-003-E	VERSION NO 1.0 SHEET OF 3

7 6 5 4 3 2 1