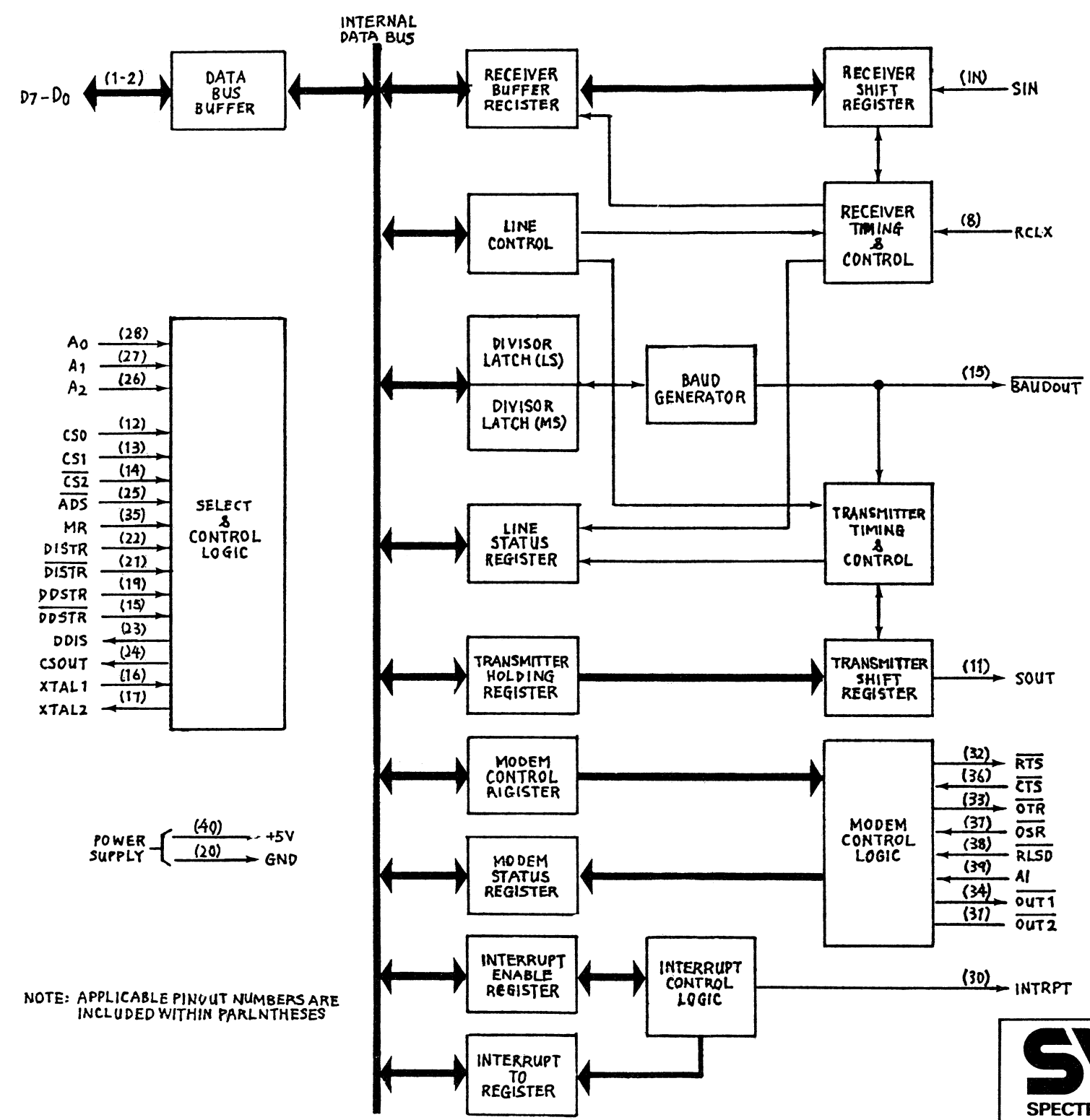


E  
D  
C  
B  
A



NOTE: APPLICABLE PIN/OUT NUMBERS ARE INCLUDED WITHIN PARENTHESSES

CONFIDENTIAL  
THIS DOCUMENT CONTAINS  
CONFIDENTIAL INFORMATION  
WHICH IS THE EXCLUSIVE  
PROPERTY OF SPECTRAVIDEO  
INTERNATIONAL LIMITED

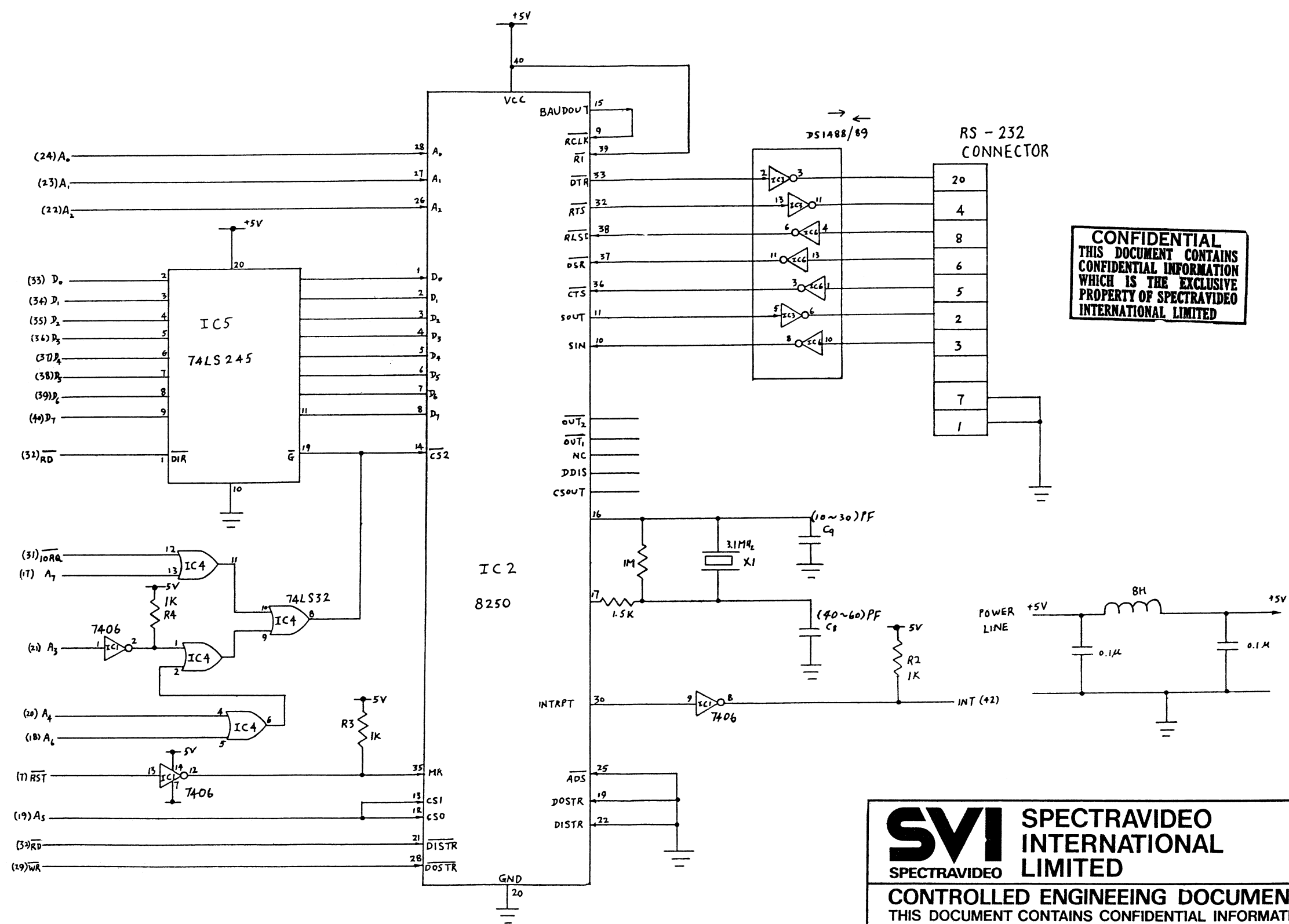
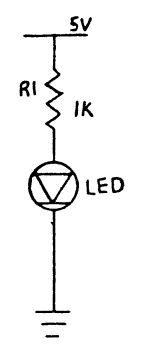
**SVI SPECTRAVIDEO INTERNATIONAL LIMITED**

**CONTROLLED ENGINEERING DOCUMENT**  
THIS DOCUMENT CONTAINS CONFIDENTIAL INFORMATION WHICH IS THE EXCLUSIVE PROPERTY OF SPECTRAVIDEO INTERNATIONAL LTD.

TITLE B250 PROGRAMMABLE COMMUNICATION INTERFACE BLOCK DIAGRAM	VERIFIED BY <u>VICKY YEUNG V.Y.</u> DATE <u>MARCH, 1984</u>
DOCUMENT NO <u>STM-001-H</u>	VERSION NO <u>1.0</u> SHEET OF <u>1</u>

7 6 5 4 3 2 1

E  
D  
C  
B  
A



**CONFIDENTIAL**  
THIS DOCUMENT CONTAINS  
CONFIDENTIAL INFORMATION  
WHICH IS THE EXCLUSIVE  
PROPERTY OF SPECTRAVIDEO  
INTERNATIONAL LIMITED

**SVI SPECTRAVIDEO INTERNATIONAL LIMITED**

**CONTROLLED ENGINEERING DOCUMENT**  
THIS DOCUMENT CONTAINS CONFIDENTIAL INFORMATION WHICH IS THE EXCLUSIVE PROPERTY OF SPECTRAVIDEO INTERNATIONAL LTD.

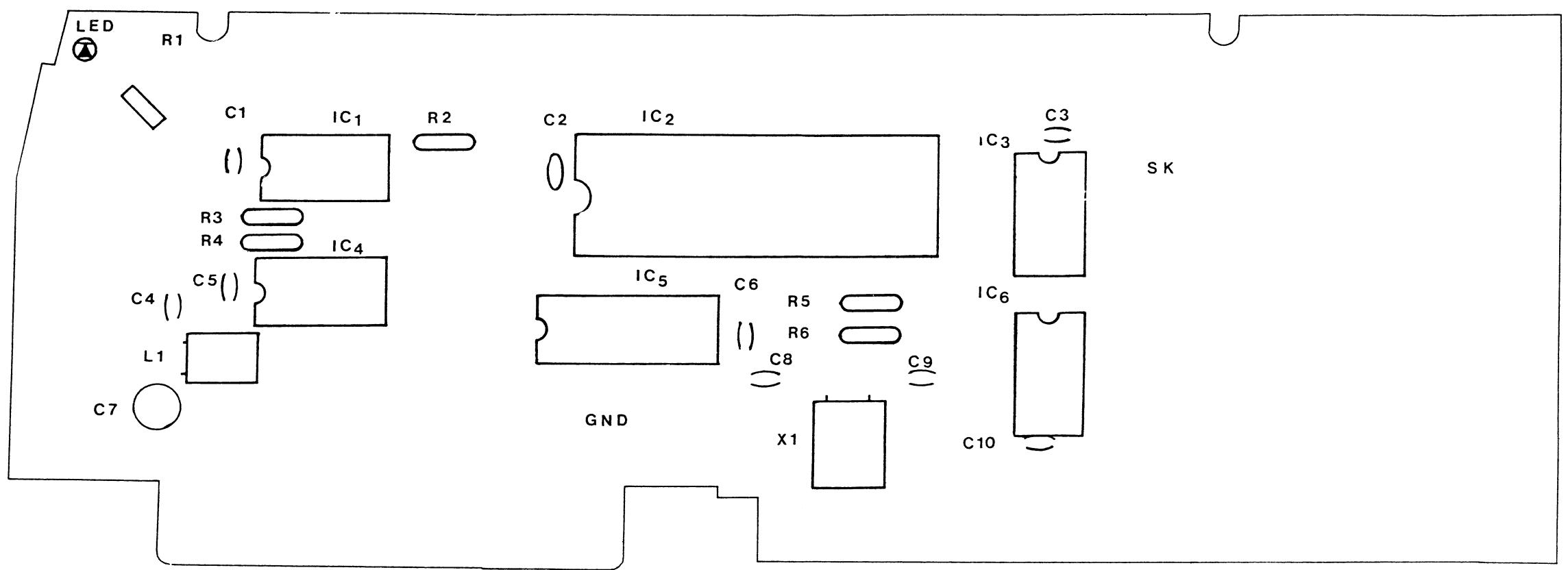
TITLE SVI-805 RS-232 INTERFACE	VERIFIED BY VICKY YEUNG V.Y.
DOCUMENT NO STM-002-H	DATE MARCH, 1984
VERSION NO 1.0	SHEET OF 2

7 6 5 4 3 2 1

E  
D  
C  
B  
A

7 6 5 4 3 2 1

E  
D  
C  
B  
A



**CONFIDENTIAL**  
 THIS DOCUMENT CONTAINS  
 CONFIDENTIAL INFORMATION  
 WHICH IS THE EXCLUSIVE  
 PROPERTY OF SPECTRAVIDEO  
 INTERNATIONAL LIMITED

**SVI SPECTRAVIDEO**  
**INTERNATIONAL**  
**SPECTRAVIDEO LIMITED**

**CONTROLLED ENGINEING DOCUMENT**  
 THIS DOCUMENT CONTAINS CONFIDENTIAL INFORMATION WHICH IS  
 THE EXCLUSIVE PROPERTY OF SPECTRAVIDEO INTERNATIONAL LTD.

TITLE SVI - 805 PCB	VERIFIED BY <u>VICKY YEUNG V.Y.</u> DATE <u>MARCH, 1984</u>
DOCUMENT NO STM-003-H	VERSION NO <u>1.0</u> SHEET OF <u>3</u>

7 6 5 4 3 2 1

