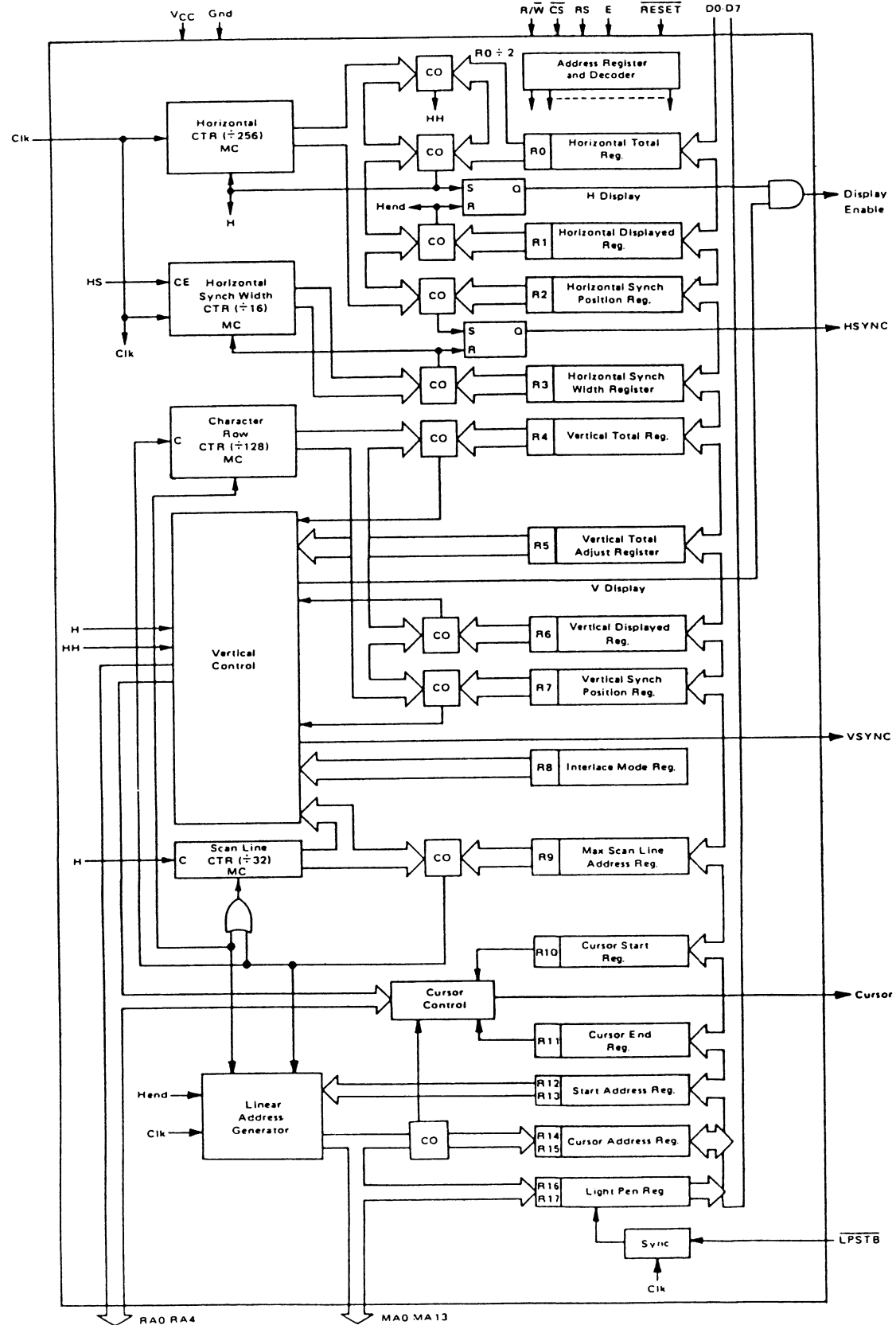


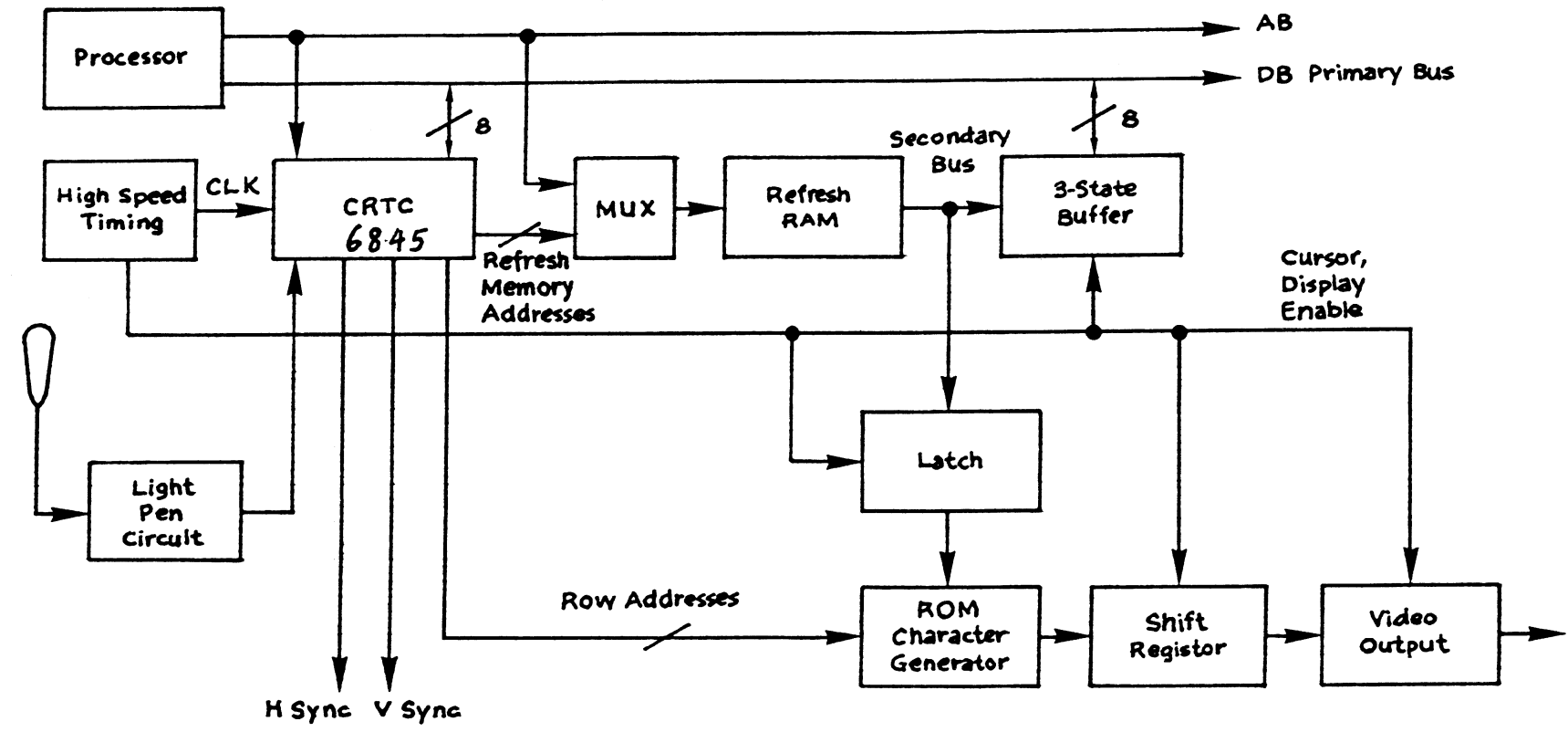
CRTC FUNCTIONAL BLOCK DIAGRAM



**CONFIDENTIAL**  
 THIS DOCUMENT CONTAINS  
 CONFIDENTIAL INFORMATION  
 WHICH IS THE EXCLUSIVE  
 PROPERTY OF SPECTRAVIDEO  
 INTERNATIONAL LIMITED

<b>SVI SPECTRAVIDEO INTERNATIONAL LIMITED</b>	
<b>CONTROLLED ENGINEERING DOCUMENT</b> THIS DOCUMENT CONTAINS CONFIDENTIAL INFORMATION WHICH IS THE EXCLUSIVE PROPERTY OF SPECTRAVIDEO INTERNATIONAL LTD.	
TITLE 6845 CRT CONTROLLER BLOCK DIAGRAM	VERIFIED BY <u>VICKY YEUNG V.Y.</u> DATE <u>MARCH, 1984</u>
DOCUMENT NO <u>STM-cq-1</u>	VERSION NO <u>1.0</u> SHEET OF <u>1</u>

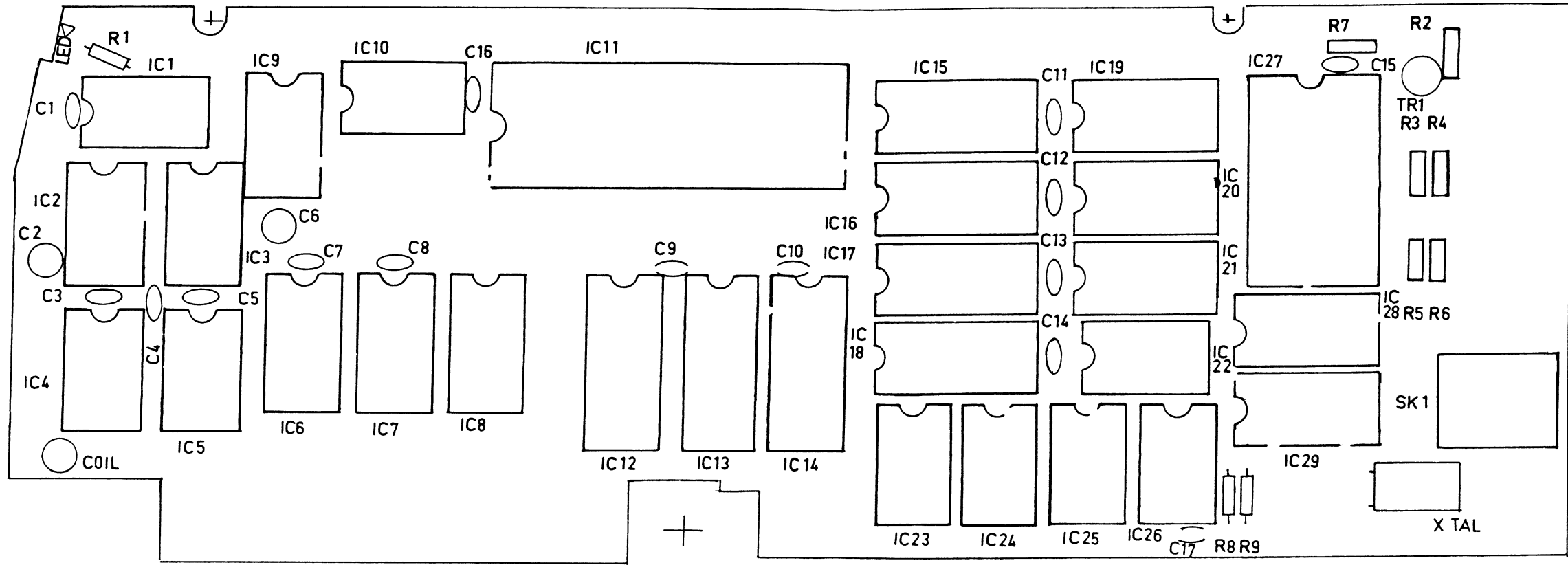
SV806  
TYPICAL CRT CONTROLLER APPLICATION



CONFIDENTIAL  
THIS DOCUMENT CONTAINS  
CONFIDENTIAL INFORMATION  
WHICH IS THE EXCLUSIVE  
PROPERTY OF SPECTRAVIDEO  
INTERNATIONAL LIMITED

<b>CONTROLLED ENGINEERING DOCUMENT</b> THIS DOCUMENT CONTAINS CONFIDENTIAL INFORMATION WHICH IS THE EXCLUSIVE PROPERTY OF SPECTRAVIDEO INTERNATIONAL LTD.	
TITLE SVI-806 CRT CONTROLLER APPLICATION	VERIFIED BY <u>VICKY YEUNG V.Y.</u> DATE <u>MARCH, 1984</u>
DOCUMENT NO STM-002-I	VERSION NO 1.0 SHEET OF 2





**CONFIDENTIAL**  
 THIS DOCUMENT CONTAINS  
 CONFIDENTIAL INFORMATION  
 WHICH IS THE EXCLUSIVE  
 PROPERTY OF SPECTRAVIDEO  
 INTERNATIONAL LIMITED

**SVI SPECTRAVIDEO INTERNATIONAL LIMITED**

**CONTROLLED ENGINEERING DOCUMENT**  
 THIS DOCUMENT CONTAINS CONFIDENTIAL INFORMATION WHICH IS THE EXCLUSIVE PROPERTY OF SPECTRAVIDEO INTERNATIONAL LTD.

TITLE SVI - 806 PCB	VERIFIED BY <u>VICKY YEUNG V.Y.</u> DATE <u>MARCH, 1984</u>
DOCUMENT NO STM - 004 - I	VERSION NO 1.0 SHEET OF 4